



SEPARATE STANDARD ACTUATOR FOR POS. W. TUMBLER 3SE5312../3SE5322.. AND ASI 3SF13... AND POS. WITH SEPARATE ACTUATOR 3SE51../3SE52.. AND ASI 3SF11../3SF21..

General technical details:		
<b>product designation</b>		actuator
<b>Mechanical operating cycles as operating time</b>		
<ul style="list-style-type: none"> <li>• typical</li> </ul>		1,000,000
<b>Resistance against vibration</b>		0.35 mm / 5g
<b>Resistance against shock</b>		30g / 11 ms
<b>Ambient temperature</b>		
<ul style="list-style-type: none"> <li>• during operating</li> </ul>	°C	-25 ... +85
<ul style="list-style-type: none"> <li>• during storage</li> </ul>	°C	-40 ... +90
<b>Design of the operating mechanism</b>		Standard actuator, die cast zinc
<b>mounting position</b>		any
<b>Item designation</b>		
<ul style="list-style-type: none"> <li>• according to DIN 40719 extendable after IEC 204-2 / according to IEC 750</li> </ul>		E
<ul style="list-style-type: none"> <li>• according to DIN EN 61346-2</li> </ul>		T

Certificates/approvals:

General Product Approval	Declaration of Conformity	Test Certificates	other
 <a href="#">EAC</a>		 EG-Konf.	<a href="#">Special Test Certificate</a> <a href="#">Confirmation</a>

**Further information:**

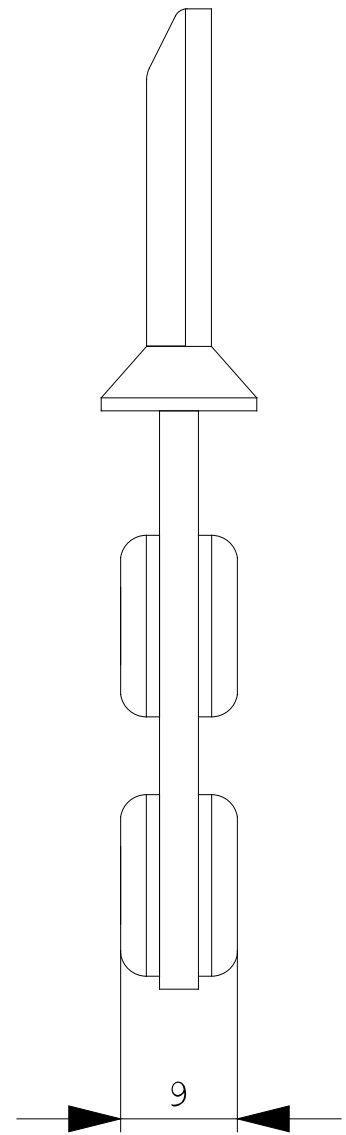
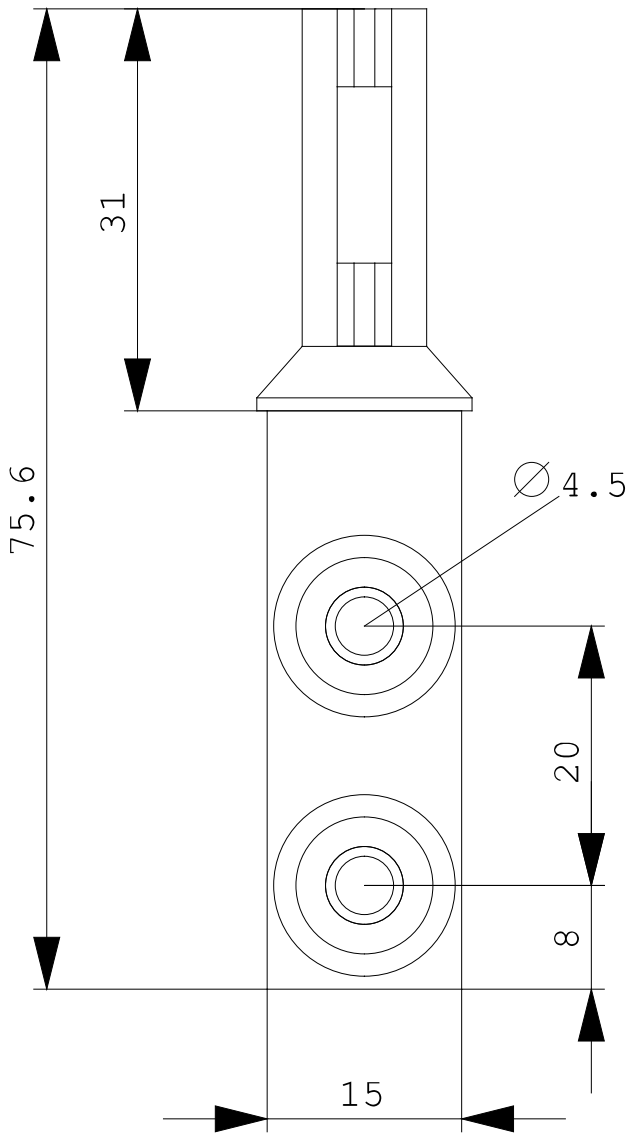
**Information- and Downloadcenter (Catalogs, Brochures,...)**  
<http://www.siemens.com/industrial-controls/catalogs>

**Industry Mall (Online ordering system)**  
<http://www.siemens.com/industrial-controls/mall>

**CAX-Online-Generator**  
<http://www.siemens.com/cax>

**Service&Support (Manuals, Certificates, Characteristics, FAQs,...)**  
<http://support.automation.siemens.com/WW/view/en/3SE5000-0AV01/all>

**Image database (product images, 2D dimension drawings, 3D models, device circuit diagrams, ...)**  
[http://www.automation.siemens.com/bilddb/cax\\_en.aspx?mlfb=3SE5000-0AV01](http://www.automation.siemens.com/bilddb/cax_en.aspx?mlfb=3SE5000-0AV01)



last change:

Oct 7, 2013