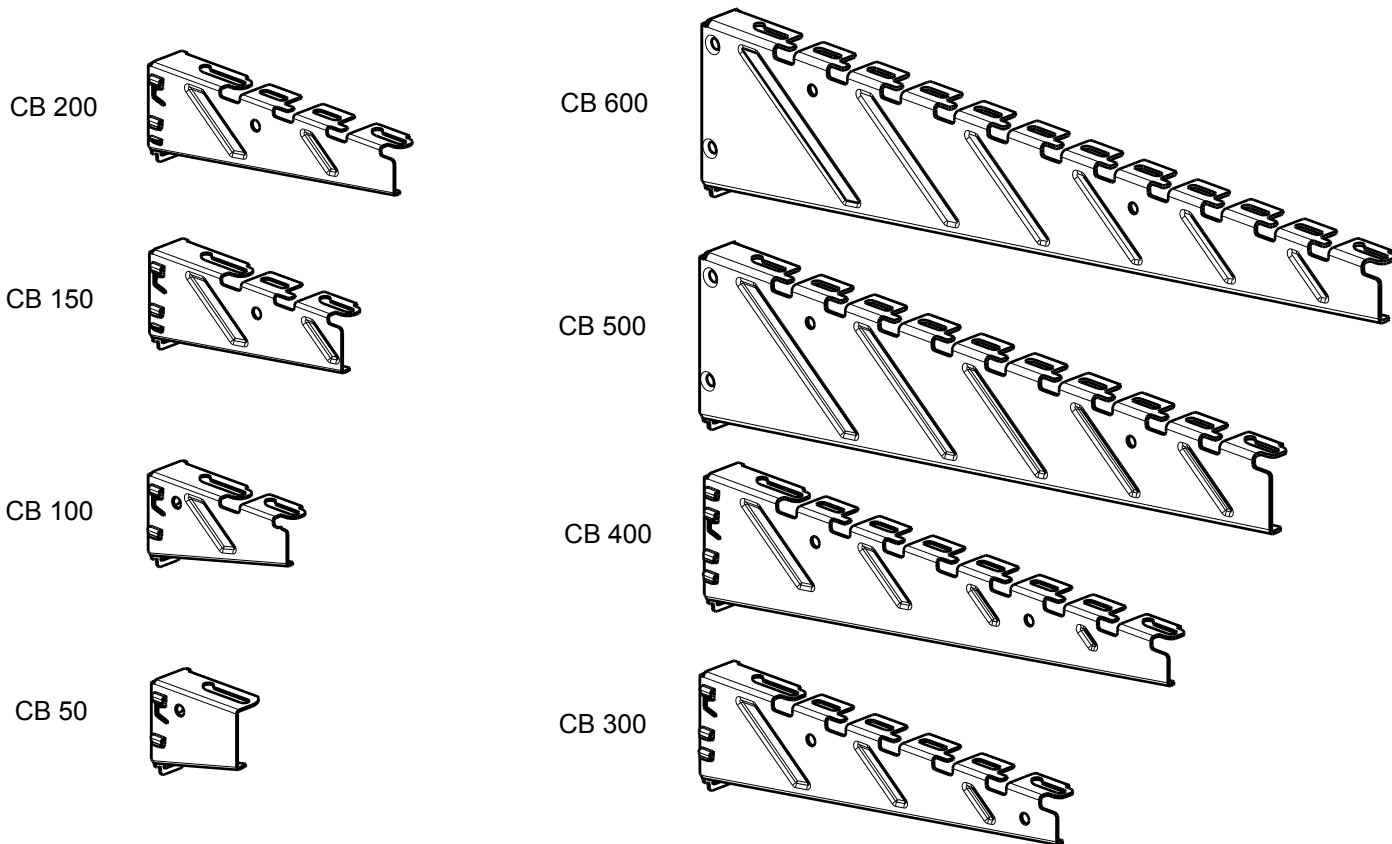


CONSOLE CB 50 à 600
CB COMPACT BRACKET 50 to 600

Reference(s) : 350 800/810/820/830/840/850/860/870
 350 803/813/823/833/843/853/863/873
 350 804/814/824/834/844/854/864/874



1. GAMME / RANGE

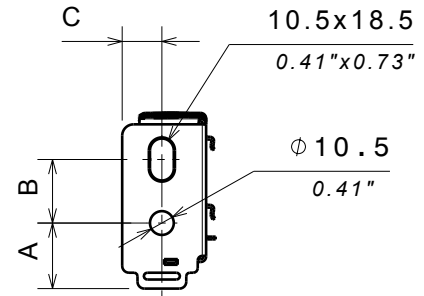
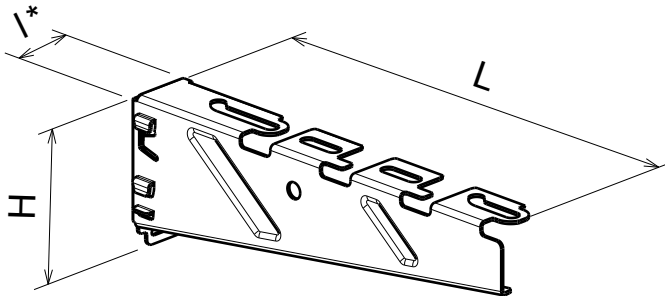
Designation	Code	Poids / Weight		Epaisseur / Thickness		Matière / Material	Norme / Standard	Finition / Coating	Classe de résistance contre la corrosion / Resistance class against corrosion
		(Kg)	(lb)	(mm)	(inch)				
CB 50 GS	350 800	0.090	0.198	1.2	0.047	S250 GD Z200	EN 10 346	GS / PG	Class 3 / CEI 61537
CB 50 HDG	350 803	0.096	0.212	1.2	0.047	S235 JR	EN 10 025	GC / HDG	Class 6 / CEI 61537
CB 50 SS316L	350 804	0.092	0.203	1.2	0.047	X2 Cr Ni Mo 17-12-2	EN 10 088-2	IN316L / SS316L	Class 9D / CEI 61537
CB 100 GS	350 810	0.117	0.258	1.2	0.047	S250 GD Z200	EN 10 346	GS / PG	Class 3 / CEI 61537
CB 100 HDG	350 813	0.125	0.276	1.2	0.047	S235 JR	EN 10 025	GC / HDG	Class 6 / CEI 61537
CB 100 SS316L	350 814	0.120	0.265	1.2	0.047	X2 Cr Ni Mo 17-12-2	EN 10 088-2	IN316L / SS316L	Class 9D / CEI 61537
CB 150 GS	350 820	0.162	0.357	1.2	0.047	S250 GD Z200	EN 10 346	GS / PG	Class 3 / CEI 61537
CB 150 HDG	350 823	0.173	0.382	1.2	0.047	S235 JR	EN 10 025	GC / HDG	Class 6 / CEI 61537
CB 150 SS316L	350 824	0.166	0.366	1.2	0.047	X2 Cr Ni Mo 17-12-2	EN 10 088-2	IN316L / SS316L	Class 9D / CEI 61537
CB 200 GS	350 830	0.188	0.415	1.2	0.047	S250 GD Z200	EN 10 346	GS / PG	Class 3 / CEI 61537
CB 200 HDG	350 833	0.201	0.444	1.2	0.047	S235 JR	EN 10 025	GC / HDG	Class 6 / CEI 61537
CB 200 SS316L	350 834	0.193	0.425	1.2	0.047	X2 Cr Ni Mo 17-12-2	EN 10 088-2	IN316L / SS316L	Class 9D / CEI 61537
CB 300 GS	350 840	0.347	0.765	1.5	0.059	S250 GD Z200	EN 10 346	GS / PG	Class 3 / CEI 61537
CB 300 HDG	350 843	0.371	0.819	1.5	0.059	S235 JR	EN 10 025	GC / HDG	Class 6 / CEI 61537
CB 300 SS316L	340 844	0.355	0.783	1.5	0.059	X2 Cr Ni Mo 17-12-2	EN 10 088-2	IN316L / SS316L	Class 9D / CEI 61537
CB 350 GS	sur projet	0.449	0.990	1.5	0.059	S250 GD Z200	EN 10 346	GS / PG	Class 3 / CEI 61537
CB 350 HDG	sur projet	0.480	1.059	1.5	0.059	S235 JR	EN 10 025	GC / HDG	Class 6 / CEI 61537
CB 350 SS316L	sur projet	0.460	1.014	1.5	0.059	X2 Cr Ni Mo 17-12-2	EN 10 088-2	IN316L / SS316L	Class 9D / CEI 61537
CB 400 GS	350 850	0.480	1.058	1.5	0.059	S250 GD Z200	EN 10 346	GS / PG	Class 3 / CEI 61537
CB 400 HDG	350 853	0.514	1.132	1.5	0.059	S235 JR	EN 10 025	GC / HDG	Class 6 / CEI 61537
CB 400 SS316L	350 854	0.492	1.085	1.5	0.059	X2 Cr Ni Mo 17-12-2	EN 10 088-2	IN316L / SS316L	Class 9D / CEI 61537
CB 500 GS	350 860	1.017	2.237	2	0.079	S280 GD Z200	EN 10 346	GS / PG	Class 3 / CEI 61537
CB 500 HDG	350 863	1.119	2.467	2	0.079	S275 JR	EN 10 025	GC / HDG	Class 6 / CEI 61537
CB 500 SS316L	350 864	1.041	2.295	2	0.079	X2 Cr Ni Mo 17-12-2	EN 10 088-2	IN316L / SS316L	Class 9D / CEI 61537
CB 600 GS	350 870	1.124	2.478	2	0.079	S280 GD Z200	EN 10 346	GS / PG	Class 3 / CEI 61537
CB 600 HDG	350 873	1.236	2.725	2	0.079	S275 JR	EN 10 025	GC / HDG	Class 6 / CEI 61537
CB 600 SS316L	350 874	1.151	2.537	2	0.079	X2 Cr Ni Mo 17-12-2	EN 10 088-2	IN316L / SS316L	Class 9D / CEI 61537

CONSOLE CB 50 à 600
CB COMPACT BRACKET 50 to 600

Reference(s) : 350 800/810/820/830/840/850/860/870
350 803/813/823/833/843/853/863/873
350 804/814/824/834/844/854/864/874

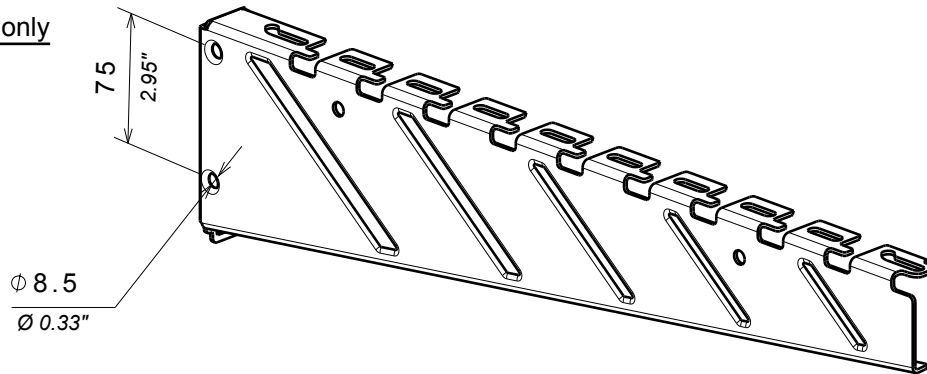
2. DIMENSIONS (mm/inch)

CB 50 to 600



* I = dimension griffes incluses pour CB 50 à 400 / Hooks included for CB 50 to 400

CB500 & CB600 only



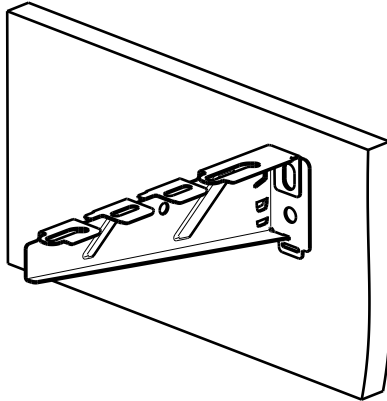
Designation	Code	L : Longueur / Length		I : Largeur / Width		H : Hauteur / Height		A		B		C	
		(mm)	(inch)	(mm)	(inch)	(mm)	(inch)	(mm)	(inch)	(mm)	(inch)	(mm)	(inch)
CB 50 GS	350 800	80.7	3.17	40.9	1.61	71.4	2.81	28.5	1.12	25	0.98	17.5	0.69
CB 50 HDG	350 803	80.7	3.17	40.9	1.61	71.4	2.81	28.5	1.12	25	0.98	17.5	0.69
CB 50 SS316L	350 804	80.7	3.17	40.9	1.61	71.4	2.81	28.5	1.12	25	0.98	17.5	0.69
CB 100 GS	350 810	130.7	5.14	40.9	1.61	71.4	2.81	28.5	1.12	25	0.98	17.5	0.69
CB 100 HDG	350 813	130.7	5.14	40.9	1.61	71.4	2.81	28.5	1.12	25	0.98	17.5	0.69
CB 100 SS316L	350 814	130.7	5.14	40.9	1.61	71.4	2.81	28.5	1.12	25	0.98	17.5	0.69
CB 150 GS	350 820	180.7	7.11	40.9	1.61	74.8	2.94	28.9	1.12	28	1.10	17.5	0.69
CB 150 HDG	350 823	180.7	7.11	40.9	1.61	74.8	2.94	28.9	1.12	28	1.10	17.5	0.69
CB 150 SS316L	350 824	180.7	7.11	40.9	1.61	74.8	2.94	28.9	1.12	28	1.10	17.5	0.69
CB 200 GS	350 830	230.7	9.08	40.9	1.61	74.8	2.94	28.9	1.12	28	1.10	17.5	0.69
CB 200 HDG	350 833	230.7	9.08	40.9	1.61	74.8	2.94	28.9	1.12	28	1.10	17.5	0.69
CB 200 SS316L	350 834	230.7	9.08	40.9	1.61	74.8	2.94	28.9	1.12	28	1.10	17.5	0.69
CB 300 GS	350 840	334.7	13.17	41.6	1.64	88.4	3.48	30.4	1.20	39	1.53	17.5	0.69
CB 300 HDG	350 843	334.7	13.17	41.6	1.64	88.4	3.48	30.4	1.20	39	1.53	17.5	0.69
CB 300 SS316L	340 844	334.7	13.17	41.6	1.64	88.4	3.48	30.4	1.20	39	1.53	17.5	0.69
CB 350 GS	sur projet	384.7	15.13	41.6	1.64	102	4.01	30.4	1.20	39	1.53	17.5	0.69
CB 350 HDG	sur projet	384.7	15.13	41.6	1.64	102	4.01	30.4	1.20	39	1.53	17.5	0.69
CB 350 SS316L	sur projet	384.7	15.13	41.6	1.64	102	4.01	30.4	1.20	39	1.53	17.5	0.69
CB 400 GS	350 850	434.7	17.10	41.6	1.64	102	4.01	33	1.30	50	1.97	17.5	0.69
CB 400 HDG	350 853	434.7	17.10	41.6	1.64	102	4.01	33	1.30	50	1.97	17.5	0.69
CB 400 SS316L	350 854	434.7	17.10	41.6	1.64	102	4.01	33	1.30	50	1.97	17.5	0.69
CB 500 GS	350 860	534.7	21.05	37	5.39	136.9	1.46	41.5	1.63	69	2.72	17.5	0.69
CB 500 HDG	350 863	534.7	21.05	37	5.39	136.9	1.46	41.5	1.63	69	2.72	17.5	0.69
CB 500 SS316L	350 864	534.7	21.05	37	5.39	136.9	1.46	41.5	1.63	69	2.72	17.5	0.69
CB 600 GS	350 870	637.7	24.99	37	5.39	136.9	1.46	41.5	1.63	69	2.72	17.5	0.69
CB 600 HDG	350 873	637.7	24.99	37	5.39	136.9	1.46	41.5	1.63	69	2.72	17.5	0.69
CB 600 SS316L	350 874	637.7	24.99	37	5.39	136.9	1.46	41.5	1.63	69	2.72	17.5	0.69

CONSOLE CB 50 à 600 CB COMPACT BRACKET 50 to 600

Reference(s) : 350 800/810/820/830/840/850/860/870
350 803/813/823/833/843/853/863/873
350 804/814/824/834/844/854/864/874

3. INSTALLATION / MOUNTING

Pose murale / Wall mounting



Fixation / fixing :

CB 50 to 400

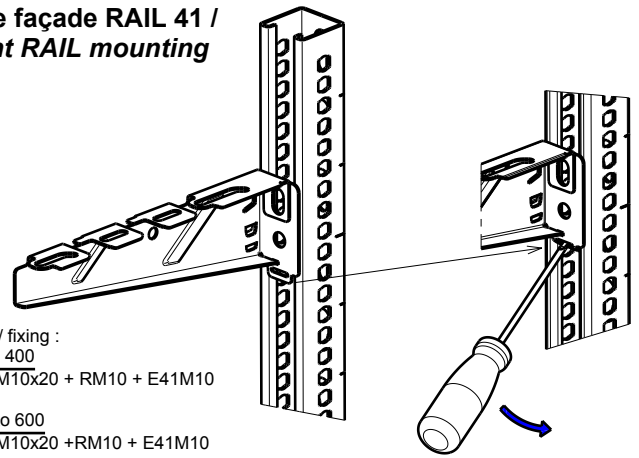
1x VHM10x20 + RM10

CB 500 to 600

2x VHM10x20 + RM10

CPS (Charge Pratique de Sécurité) daN / SWL (Safe working load) daN							
CB 50	CB 100	CB 150	CB 200	CB 300	CB 400	CB 500	CB 600
80	115	110	110	150	150	200	160

pose façade RAIL 41 / Front RAIL mounting



Fixation / fixing :

CB 50 to 400

1x VHM10x20 + RM10 + E41M10

8 Nm

CB 500 to 600

2x VHM10x20 + RM10 + E41M10

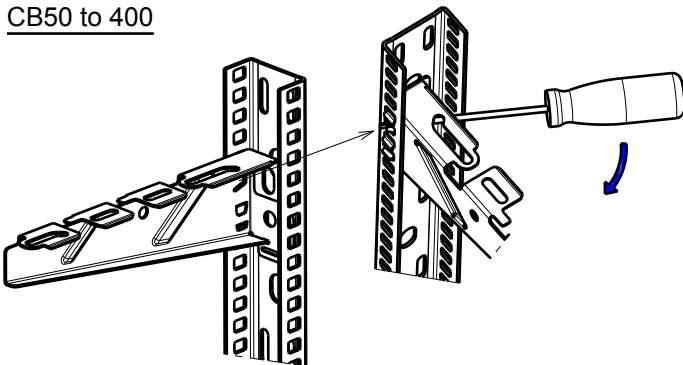
15 Nm

CPS (Charge Pratique de Sécurité) daN / SWL (Safe working load) daN							
CB 50	CB 100	CB 150	CB 200	CB 300	CB 400	CB 500	CB 600
70	75	80	70	90	65	150	90

Pose RAIL EDF / RAIL EDF mounting

Seulement pour GS / INOX - Only for PG/SS

CB50 to 400



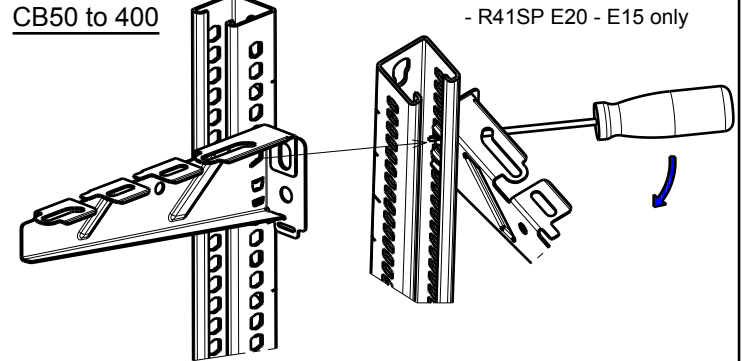
CPS (Charge Pratique de Sécurité) daN /
SWL (Safe working load) daN

CB 50	CB 100	CB 150	CB 200	CB 300	CB 400
/	/	/	/	/	/

Pose coté RAIL 41 / Side RAIL 41 mounting

Seulement pour GS / INOX - Only for PG/SS

CB50 to 400



- R41SP E20 - E15 only

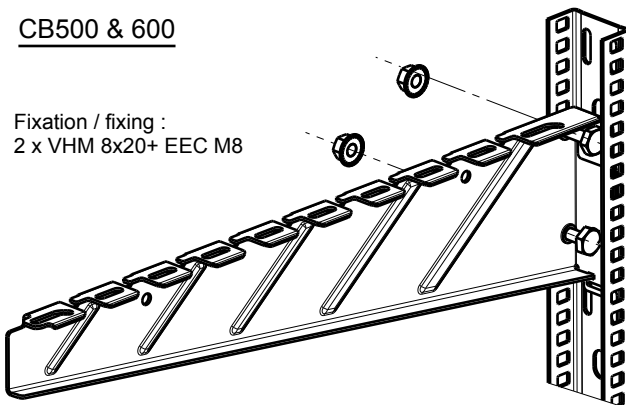
CPS (Charge Pratique de Sécurité) daN /
SWL (Safe working load) daN

CB 50	CB 100	CB 150	CB 200	CB 300	CB 400
50	50	50	40	40	60

CB500 & 600

Fixation / fixing :

2 x VHM 8x20+ EEC M8



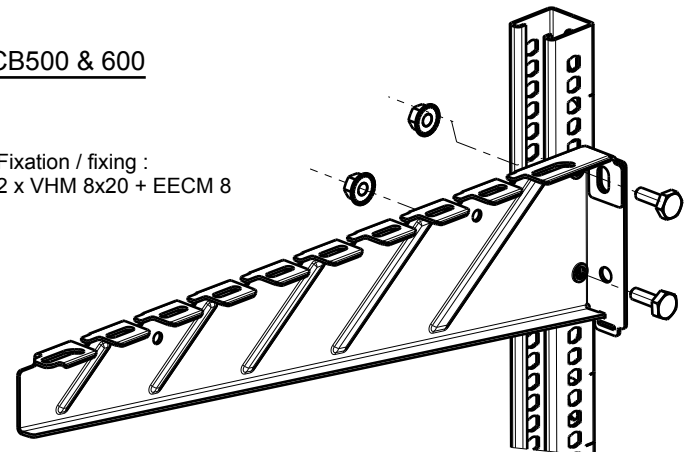
CPS (Charge Pratique de Sécurité) daN /
SWL (Safe working load) daN

CB 500	CB 600
/	/

CB500 & 600

Fixation / fixing :

2 x VHM 8x20 + EECM 8



CPS (Charge Pratique de Sécurité) daN /
SWL (Safe working load) daN

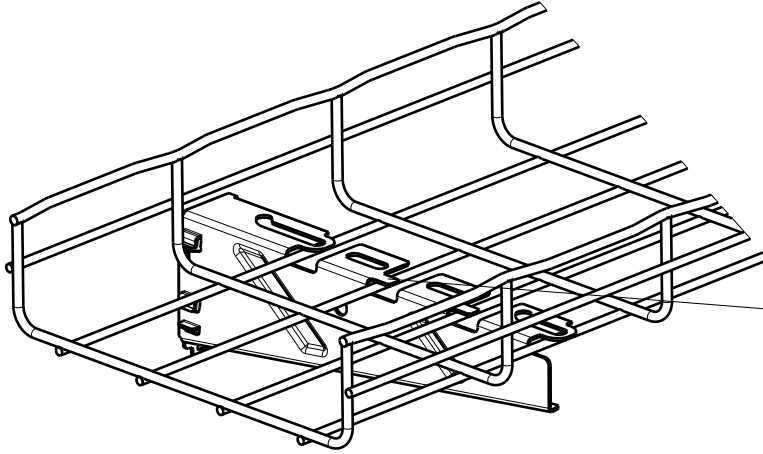
CB 500	CB 600
120	110

CONSOLE CB 50 à 600
CB COMPACT BRACKET 50 to 600

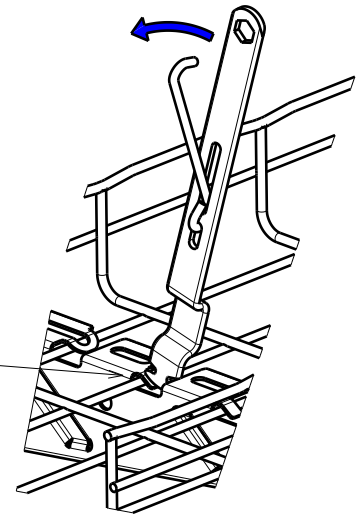
Reference(s) : 350 800/810/820/830/840/850/860/870
 350 803/813/823/833/843/853/863/873
 350 804/814/824/834/844/854/864/874

INSTALLATION / MOUNTING

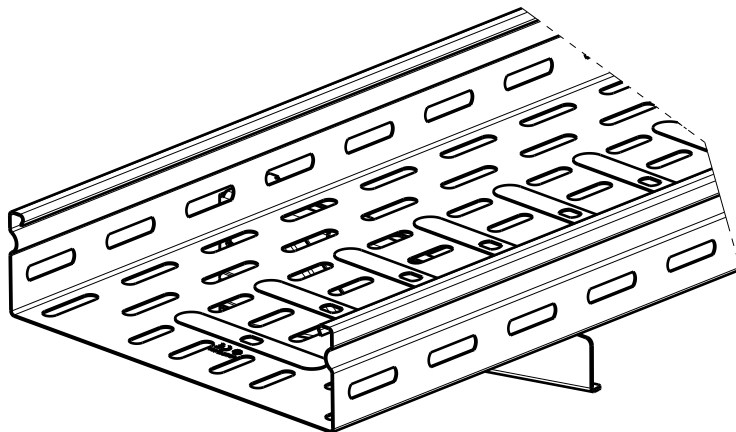
Montage chemin de câbles fil / *Wire mesh mounting*



Fixation / Locking



Montage chemin de câbles tôle / *Cable tray mounting*



Fixation / Locking

BFC



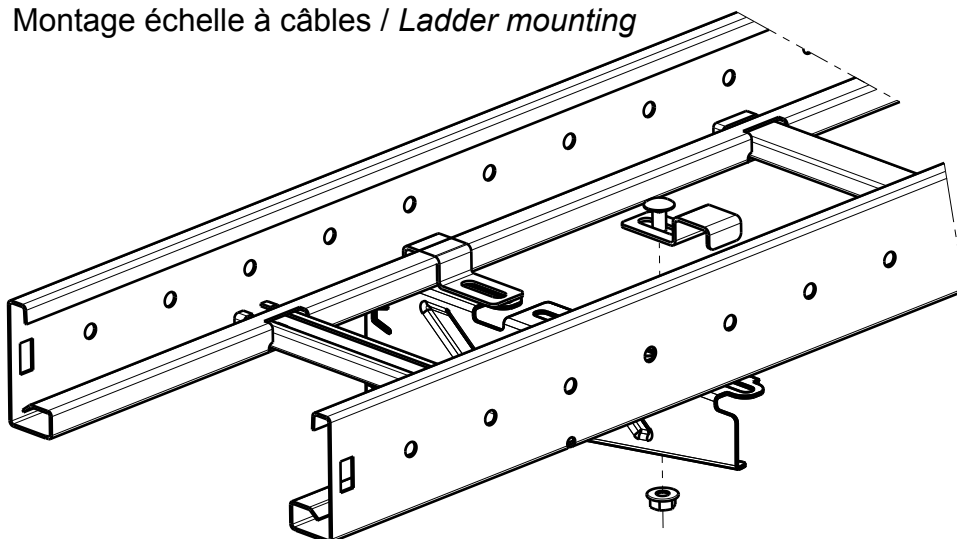
OU / OR

BTRCC 6x12



1 par 100mm / 1 per 100mm

Montage échelle à câbles / *Ladder mounting*



Fixation / Locking

2x GLOKSK



2x BTRCC 6x12

