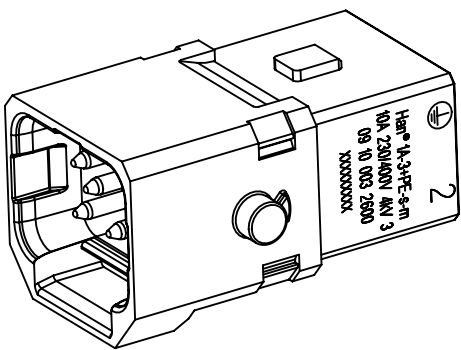
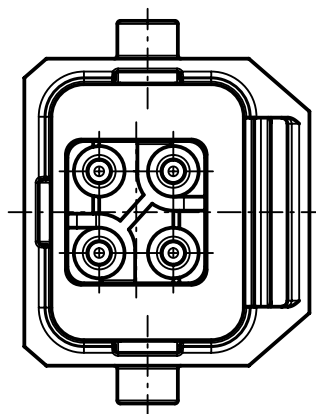
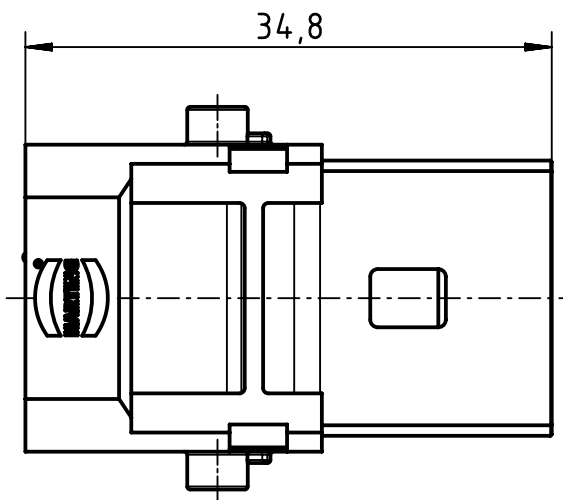
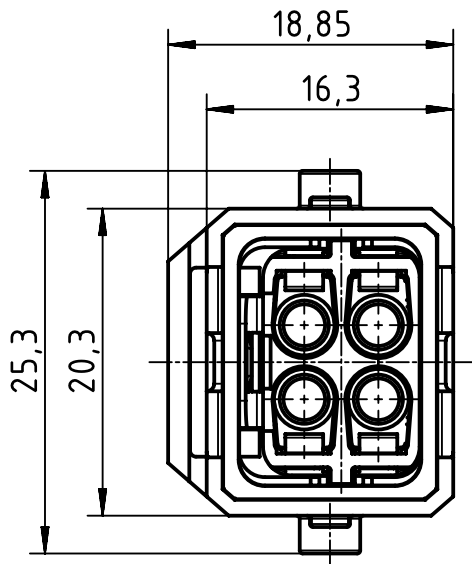


1 2 3 4 5 6

A
B
C
D



	All Dimensions in mm Original Size DIN A4		Scale 2:1	Free size tol.		Ref.	
			Created by HOLLERT	Inspected by LOETKEMANN	Standardisation RUETERA	Date 2020-07-14	State Final Release
All rights reserved Department EL PD		Title Han 1A-3+PE-s-m latch				Doc-Key / ECM-Nr. 100740254/UGD/001/B 500000175719	
HARTING Electric GmbH & Co. KG D-32339 Espelkamp		Type TB	Number 09 10 003 2600			Rev. B	Page 1/1