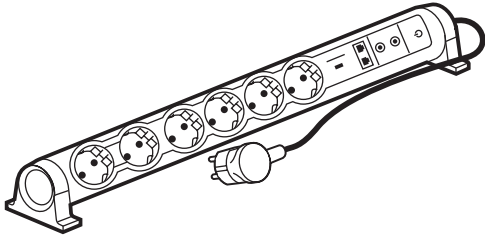
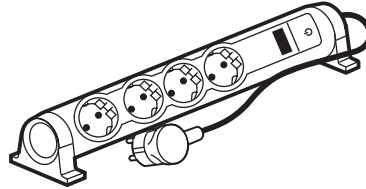


Xenon™
2 P+E German socket

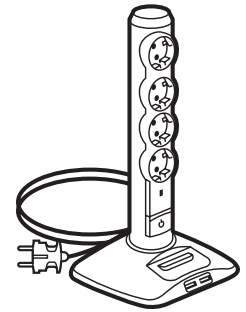
Cat. No.(s): 6 946 14/64/66



6 946 66



6 946 64



6 946 14

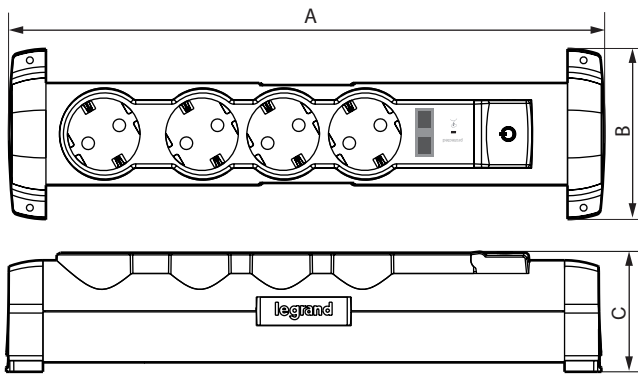
1. USE

16 A German standard multi-outlet extensions with surge protection, switch and power cord.
 Possibilities to orientate socket outlets, can be fixed by screws.

2. RANGE

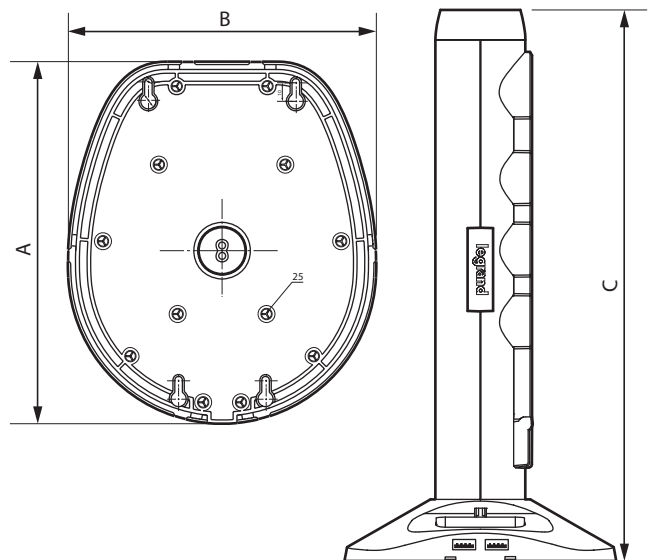
Cat. No.	Designation	Finishes
6 946 64	4 x 2 P+E Schuko + 2 RJ 45 + surge protection with 1.5 m cable	White/Grey
6 946 66	6 x 2 P+E Schuko + 2 x RJ 45 + 2 x TV + surge protection with 1.5 m cable	Black
6 946 14	4 x 2 P+E Schuko + 2 x USB + docking station + surge protection with 2 m cable	White/Grey

3. OVERALL DIMENSIONS (mm)



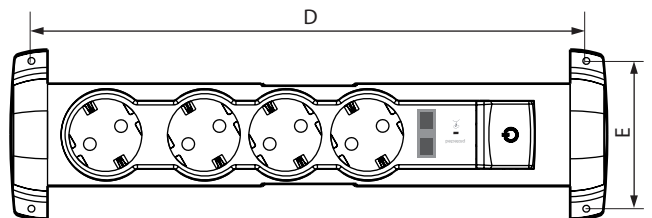
Cat. No.	A	B	C
6 946 64	351	90	63.5
6 946 66	485	90	63.5

3. OVERALL DIMENSIONS (mm) (continued)



Cat. No.	A	B	C
6 946 14	192	163	331

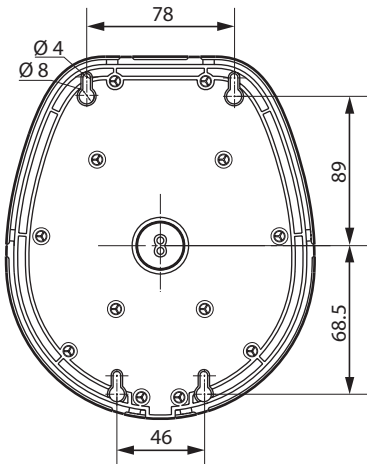
3.2 Fixing dimensions for Tower model



Cat. No.	D	E
6 946 64	329	78
6 946 66	463	78

3. OVERALL DIMENSIONS (mm) (continued)

■ **3.2 Fixing dimensions for tower model**



4. TECHNICAL CHARACTERISTICS

■ **4.1 Mechanical characteristics**

Impact tests: IK 04

Protection against solid objects and liquids: IP 20.

■ **4.2 Material characteristics**

Self-extinguishing:

+ 750° C / 30 s for insulating parts holding live parts in place.

+ 650° C / 30 s for other parts made of insulating materials.

■ **4.3 Electrical characteristics**

Voltage: 250 VAC

Current: 16 A

Power: 3680 W max.

USB for 6 946 14:

- 2 USB sockets type A

- 1 micro USB type B connector

- Power supply for the overall product (2 USB sockets and micro-USB plug: 5 V - 1 A.

Surge protection high current sockets:

Cat. No.	Type of surge	Uc	Uoc	Up
6 946 64	Common mode + differential	250 V	4 kV	1 kV
6 946 66	Common mode + differential	250 V	4 kV	1 kV
6 946 14	Differential mode	250 V	4 kV	1 kV

Surge protection low current sockets:

	Uc	Up	I _{max}	I _n
RJ 45 sockets	200 V	600 V	1,5 kA	1 kA
TV sockets	50 V	900 V	5 kA	-

■ **4.4 Climatic characteristics**

Use temperature: - 5°C to + 35°C

Storage temperature: - 15°C to + 70°C

5. CLEANING

Surface cleaning with a cloth.

Do not use: acetone, tar remover, trichloroethylene.

Caution: A preliminary test should be carried out if other specific cleaning products are to be used.