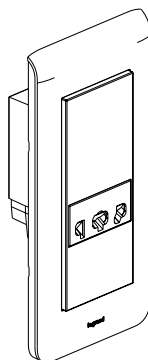


Mosaic™ Shaver socket

Cat. No.: 775 86



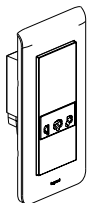
1. USE

Equipped with a circuit separation transformer to isolate the user from the mains supply.

Socket outlets for different international standards: Euro, US, British standard, Australian.

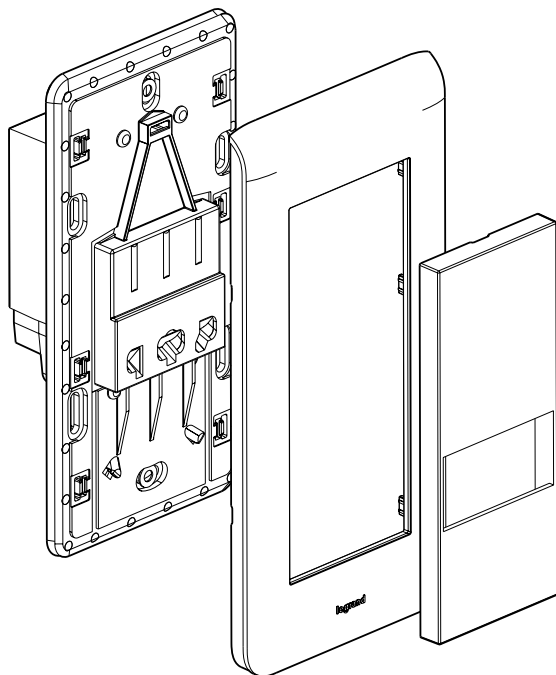
The frame is integrated and the plate is supplied.

2. RANGE

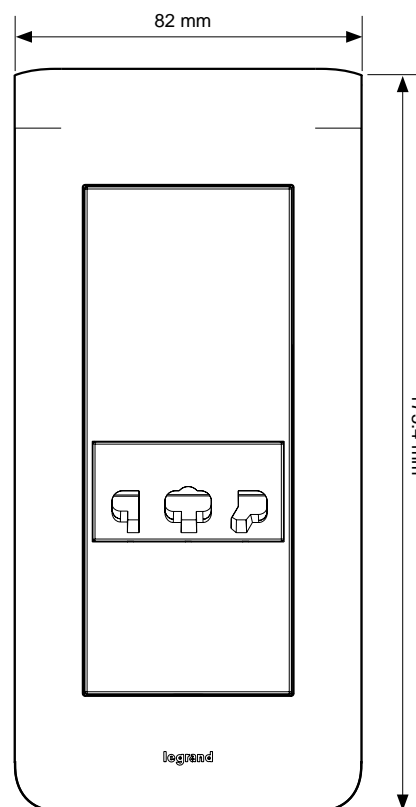
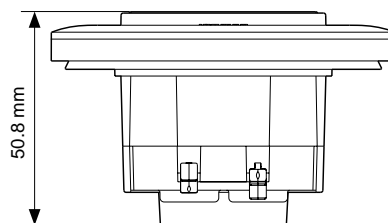
	Designation	Cat. No.	Fixation method	Connection method	Weight (g)
	Shaver socket	775 86	With screws	Auto	559

3. PREPARATION

The mechanisms can be flush-mounted in a 2 posts flush-mounted box depth 50 mm.

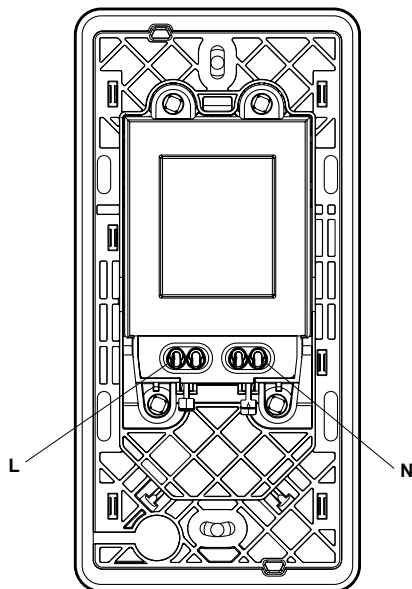


4. OVERALL DIMENSIONS



5. CONNECTION

Connection method: automatic
Capacity: 2 x 2.5 mm² or 2 x 1.5 mm²
Stripping length: 13 mm



6. TECHNICAL CHARACTERISTICS

6.1 Mechanical characteristics

Impact tests: IK 04
Protection by solid bodies/liquids: IP 24

6.2 Material characteristics

Plate: ABS
Cover plate: ABS
Frame: PC

6.3 Electrical characteristics

Protected against overloads and short circuits by built-in thermal relay limiting the available power to 20 VA.
Power supply: 230 V and 1 output 120/230 V
Frequency: 50/60 Hz.
Self-extinguishing: 850° C / 30 s.

6.4 Climatic characteristics

Storage and operating temperatures: - 5°C to + 40°C

7. CLEANING

Surface cleaning with a cloth.
Do not use: acetone, tar remover, trichloroethylene.

7.1 Resistance to cleaning agents

Hexane (EN 60669-1), methylated spirits, soapy water, diluted ammonia, diluted pure bleach 10%, glass cleaning substance, pre-impregnated wipes.

7.2 Resistance to hospital-type cleaning agents

Resistance to the following agents: Anios, Surfanios, Bactily sine, Hydrogen peroxyde (35%).

Caution: A preliminary test should be carried out if other specific cleaning products are to be used.