



Safety Instructions



0,1,2,3,4,5a,5b,6,7,8,9,
11,15,20,22,26,27



Info Hotline **+49 (0) 5041 998 389**

Mon. - Do. 7⁰⁰ - 20⁰⁰

Fr. 7⁰⁰ - 17⁰⁰




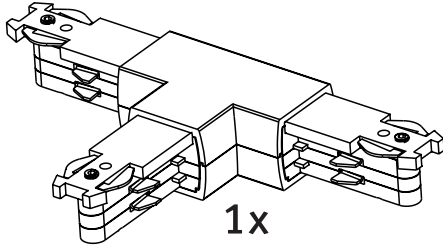
Paulmann Licht GmbH
Quezinger Feld 2
31832 Springe / Germany

Art.-Nr.:

951.43

(+MA 173)

PH 04/13 

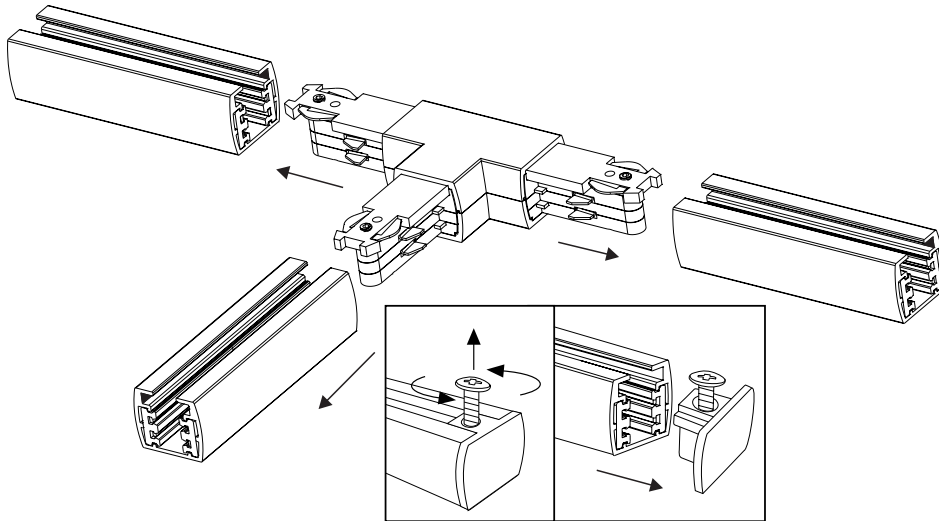


1x

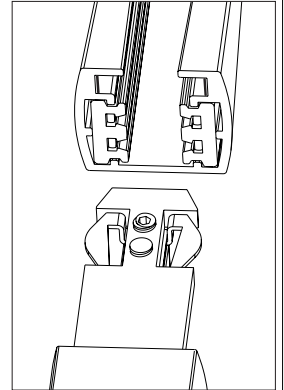


1x

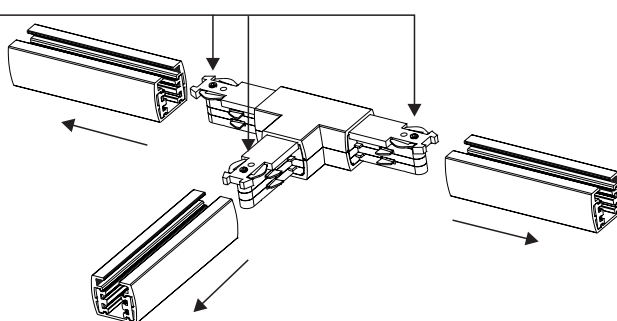
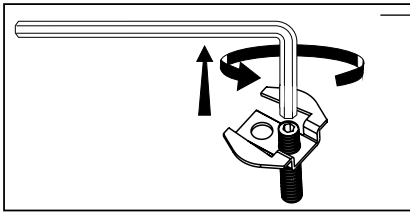
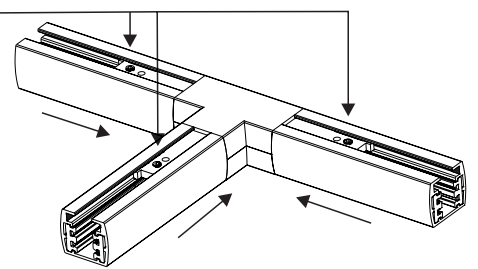
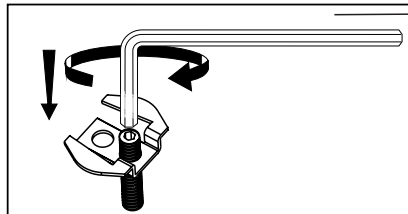
A




 **Safety Instructions**
Nr. 0,1,2,4



B



 **Safety Instructions**
Nr. 0,1,2,4

