

ADE 4F Silicone and Neoprene

Technical data ISO and NPT

Nickel plated brass cable gland, **for armored cable.**

IP66 without added gasket depending on the flatness and the roughness of the contact surface of the enclosure. If needed a gasket supplied from Capri can be added.

Service temperature:

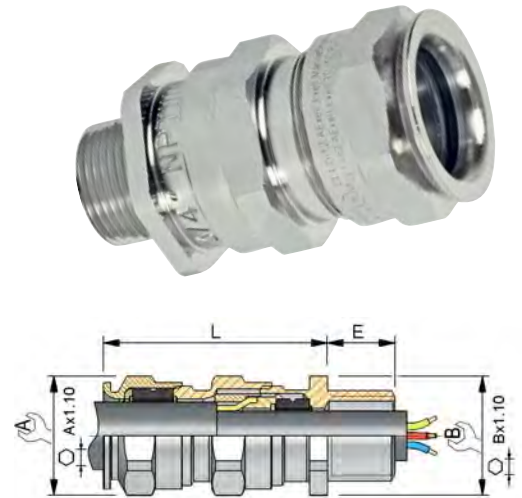
- with Silicone sealing ring: -60 °C up to +140 °C
- with Neoprene sealing ring: -30 °C up to +80 °C

Marking according 94/9/EG:

- ⊕ II 2 G Ex db IIC Ex eb IIC
- ⊕ II 2 D Ex tb IIIC, ⊕ I M2 Ex db I / Ex eb I

Ex certificates:

- INERIS 12 ATEX 0032X / Certificate of Compliance (M): 20130524-E310130
- IECEx INE 12.0025X / CEPEL Certificate of Conformity: CEPEL 05.0559X



Features



- **ENGINEERED ELASTOMER:** specifically formulated for gland application.
- **NEOPRENE SEALING AS STANDARD:** -30°C up to +80°C ; the best choice for typical operating temperatures and good resistance to many common chemicals.
- **SILICONE SEALING OPTION:** -60°C up to +140°C ; combined with stainless steel, this is the best solution for extreme operating temperatures and enhanced environmental resistance.
- **SINGLE RANGE WITH GLOBAL COMPLIANCE:** NEC, IEC standard and marine approval. All covered with one product.
- **FITTED DUST COVER:** An easily removable integral dust cover ensures that the product retains an IP rating prior to cable assembly and without an additional plug. This protects the electrical equipment, during transportation and delivery until cable is ready to be fitted.
- **CORROSION RESISTANT NICKEL PLATED BRASS:** nickel plating combines best corrosion resistance and long term electrical contact.
- **STAINLESS STEEL OPTION:** Alternative solution for a larger range of applications, mainly for enhanced resistance to chemicals and environmental factors.
- **SINGLE SPANNER / WRENCH SIZE:** the standard metric and NPT size needs only one spanner/wrench for installation, making life easier for the contractor.
- **UNIVERSAL AMOUR CLAMPING:** All cable types assembled into one gland with no requirement to reverse components and introduce risk.

ADE 4F Silicone and Neoprene

Ordering details ADE 4F ISO thread

Order No. MsNi Neopren	Order No. MsNi Silicone	Order No. Stainless Steel Neopren	ISO	Type	Cable Ø inside mm	Cable Ø outside mm	A mm	B mm	E mm	L mm
CAP 846 404	CAP 846 405	CAP 846 409	M12 x 1.5	5	4.5 - 8.5	7.0 - 12	19	19	15	36
CAP 846 594	CAP 846 595	CAP 846 599	M16 x 1.5	5	4.5 - 8.5	7.0 - 12	19	19	15	36
CAP 846 504	CAP 846 505	CAP 846 509	M16 x 1.5	6	7.0 - 12	10 - 16	19	24	15	36
CAP 846 674	CAP 846 675	CAP 846 679	M20 x 1.5	5	4.5 - 8.5	7.0 - 12	19	24	15	36
CAP 846 694	CAP 846 695	CAP 846 699	M20 x 1.5	6	7.0 - 12	10 - 16	24	24	15	42
CAP 846 604	CAP 846 605	CAP 846 609	M20 x 1.5	7	10 - 16	13.5 - 21	30	30	15	46
CAP 846 774	CAP 846 775	CAP 846 779	M25 x 1.5	6	7.0 - 12	10 - 16	24	30	15	42
CAP 846 794	CAP 846 795	CAP 846 799	M25 x 1.5	7	10 - 16	13.5 - 21	30	30	15	46
CAP 846 704	CAP 846 705	CAP 846 709	M25 x 1.5	8	13.5 - 21	18 - 27.5	41	41	15	56
CAP 846 894	CAP 846 895	CAP 846 899	M32 x 1.5	8	13.5 - 21	18 - 27.5	41	41	15	56
CAP 846 804	CAP 846 805	CAP 846 809	M32 x 1.5	9	18 - 27.5	23 - 34	48	48	15	63
CAP 846 994	CAP 846 995	CAP 846 999	M40 x 1.5	9	18 - 27.5	23 - 34	48	48	15	63
CAP 846 904	CAP 846 905	CAP 846 909	M40 x 1.5	10	23 - 34	29 - 41	55	55	15	68
CAP 847 094	CAP 847 095	CAP 847 099	M50 x 1.5	10	23 - 34	29 - 41	55	55	16	68
CAP 847 004	CAP 847 005	CAP 847 009	M50 x 1.5	11	29 - 41	35 - 48	64	64	16	74
CAP 847 294	CAP 847 295	CAP 847 299	M63 x 1.5	12	35 - 48	42 - 56	72	72	17	77
CAP 847 204	CAP 847 205	CAP 847 209	M63 x 1.5	13	42 - 56	50 - 65	85	85	17	85
CAP 847 394	CAP 847 395	CAP 847 399	M75 x 1.5	13	42 - 56	50 - 65	85	85	18	85
CAP 847 304	CAP 847 305	CAP 847 309	M75 x 1.5	14	50 - 65	58 - 74	95	95	18	92
CAP 847 494	CAP 847 495	CAP 847 499	M80 x 2.0	14	50 - 65	58 - 74	95	95	20	92
CAP 847 404	CAP 847 405	CAP 847 409	M80 x 2.0	15	58 - 74	66 - 83	110	110	20	104
CAP 847 594	CAP 847 595	CAP 847 599	M90 x 2.0	15	58 - 74	66 - 83	110	110	22	104
CAP 847 504	CAP 847 505	CAP 847 509	M90 x 2.0	16	66 - 83	75 - 93	120	120	22	108
CAP 847 574	CAP 847 575	CAP 847 579	M90 x 2.0	17	75 - 93	85 - 104	135	120	22	108

Ordering details ADE 4F NPT thread

Order No. MsNi Neopren	Order No. MsNi Silicone	Order No. Stainless Steel Neopren	NPT	Type	Cable Ø inside mm	Cable Ø outside mm	A mm	B mm	E mm	L mm
CAP 848 404	CAP 848 405	CAP 848 409	1/4"	5	4.5 - 8.5	7.0 - 12	19	19	12	36
CAP 848 594	CAP 848 595	CAP 848 599	3/8"	5	4.5 - 8.5	7.0 - 12	19	19	12	36
CAP 848 504	CAP 848 505	CAP 848 509	3/8"	6	7.0 - 12	10 - 16	24	24	12	42
CAP 848 674	CAP 848 675	CAP 848 679	1/2"	5	4.5 - 8.5	7.0 - 12	19	24	16	36
CAP 848 694	CAP 848 695	CAP 848 699	1/2"	6	7.0 - 12	10 - 16	24	24	16	42
CAP 848 604	CAP 848 605	CAP 848 609	1/2"	7	10 - 16	13.5 - 21	30	30	16	46
CAP 848 774	CAP 848 775	CAP 848 779	3/4"	6	7.0 - 12	10 - 16	24	30	16	42
CAP 848 794	CAP 848 795	CAP 848 799	3/4"	7	10 - 16	13.5 - 21	30	30	16	46
CAP 848 704	CAP 848 705	CAP 848 709	3/4"	8	13.5 - 21	18 - 27.5	41	41	16	56
CAP 848 894	CAP 848 895	CAP 848 899	1"	8	13.5 - 21	18 - 27.5	41	41	20	46
CAP 848 804	CAP 848 805	CAP 848 809	1"	9	18 - 27.5	23 - 34	48	48	20	63
CAP 848 994	CAP 848 995	CAP 848 999	1 1/4"	9	18 - 27.5	23 - 34	48	48	20	63
CAP 848 904	CAP 848 905	CAP 848 909	1 1/4"	10	23 - 34	29 - 41	55	55	20	68
CAP 849 094	CAP 849 095	CAP 849 099	1 1/2"	10	23 - 34	29 - 41	55	55	20	68
CAP 849 004	CAP 849 005	CAP 849 009	1 1/2"	11	29 - 41	35 - 48	64	64	20	74
CAP 849 294	CAP 849 295	CAP 849 299	2"	12	35 - 48	42 - 56	72	72	20	77
CAP 849 204	CAP 849 205	CAP 849 209	2"	13	42 - 56	50 - 65	85	85	20	85
CAP 849 494	CAP 849 495	CAP 849 499	2 1/2"	13	42 - 56	50 - 65	85	85	28	85
CAP 849 404	CAP 849 405	CAP 849 409	2 1/2"	14	50 - 65	58 - 74	95	95	28	92
CAP 849 594	CAP 849 595	CAP 849 599	3"	15	58 - 74	66 - 83	110	110	30	104
CAP 849 504	CAP 849 505	CAP 849 509	3"	16	66 - 83	75 - 93	120	120	30	108