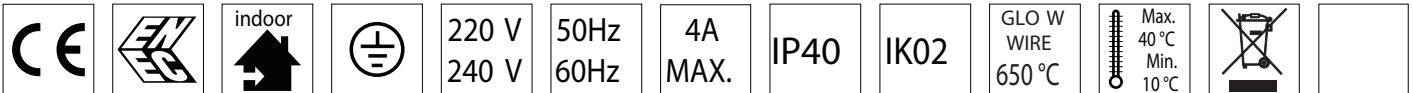
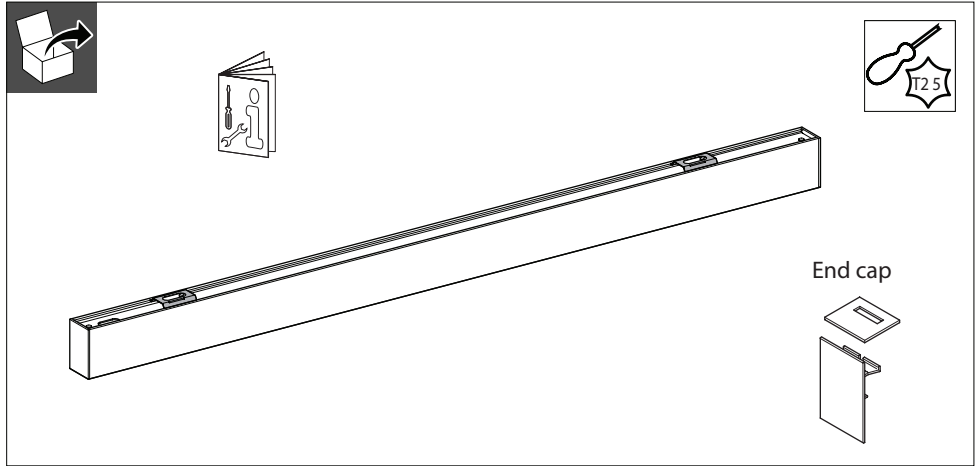


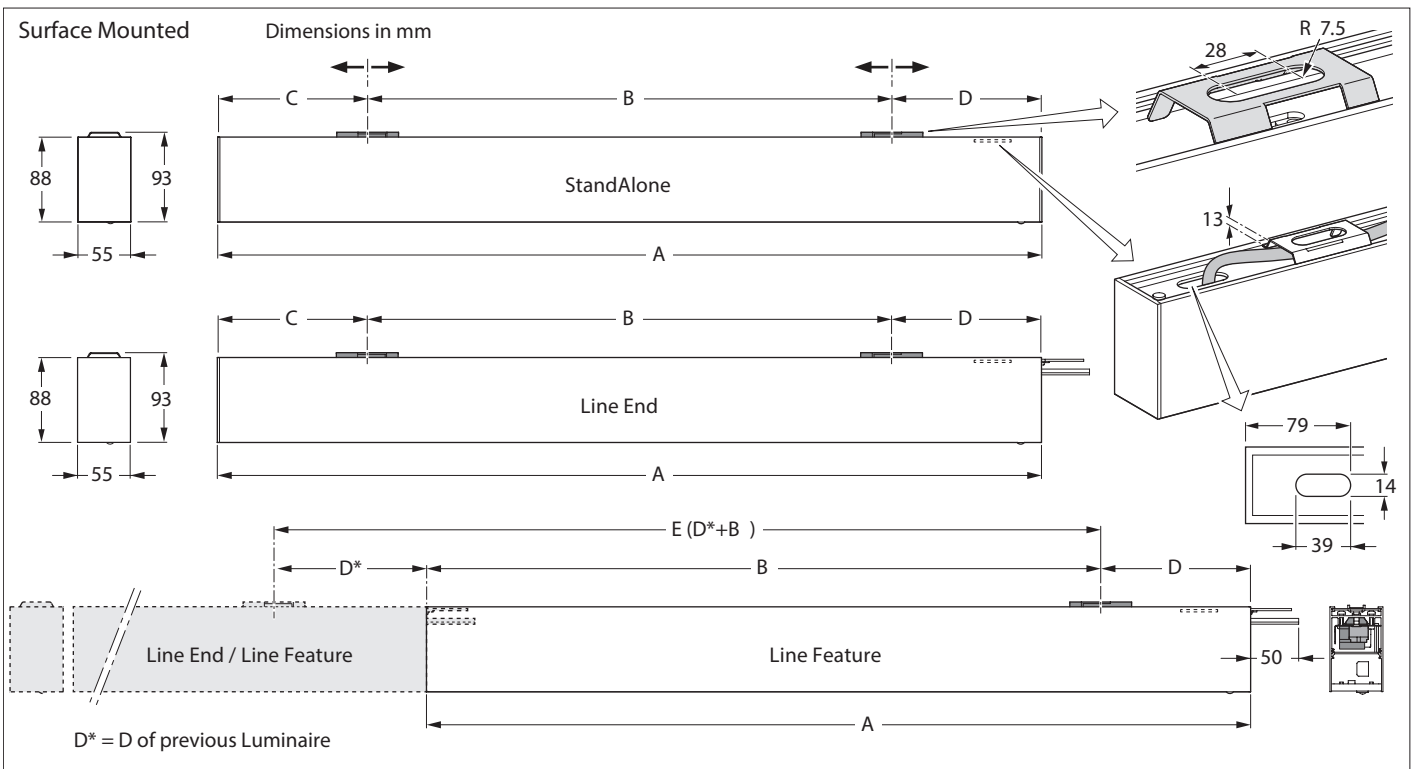
# PHILIPS

## TrueLine

SM530C



Surface Mounted	A	B	C	D	E	Sensor/ Blind sensor holder.	kg	
Standalone	L1130	1130	759	200	171	930	•	3.2
	L1170	1170			211	970		3.4
	L1410	1409	1031	200	178	1209	•	3.8
	L1450	1449			219	1250		4.1
Line End	L1130	1128	759	200	170	929	•	3.2
	L1170	1168			210	969		3.4
	L1410	1408	1031	200	177	1208	•	3.8
	L1450	1448			217	1248		4.1
Line Feature	L1130	1127	957	200	170	1127	•	3.2
	L1170	1167			210	1167		3.4
	L1410	1406	1229	200	177	1406	•	3.8
	L1450	1446			217	1446		4.1



ACL/MDU versions only

6mm

ATTENTION  
OBSERVE PRECAUTIONS  
FOR HANDLING  
ELECTROSTATIC  
SENSITIVE  
DEVICES

DAI  
Standalone /  
Line End

1

- Black (L)
- Yellow-Green (⊕)
- Blue (N)
- + DA / LS**
- Orange
- DA**
- Purple

2a

2b

2c

DAI

1x	2x	3x	...	...	...	9x	10x Max.	✓	😊
1x	2x	3x	...	...	...	...	10x	✗	😞

PoE

1x	2x	3x	...	...	...	...	...	...	...	➡	😊
----	----	----	-----	-----	-----	-----	-----	-----	-----	---	---

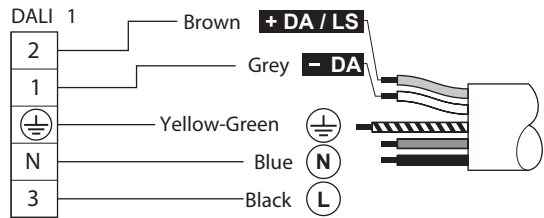
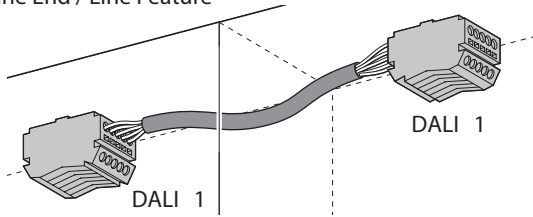
3

4a

4b

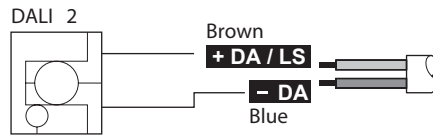
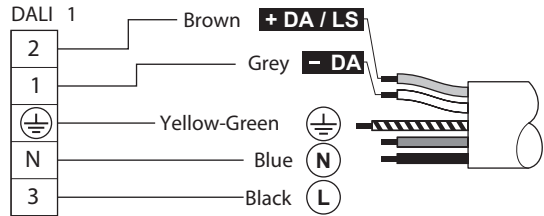
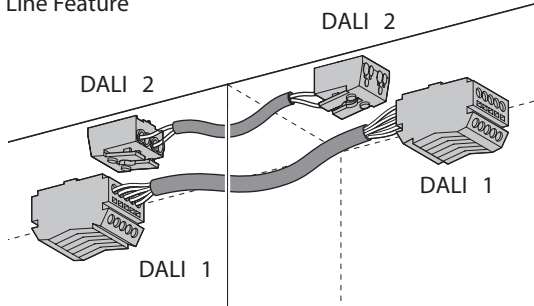


Push-in (PIP) PSD  
PI-5  
Line End / Line Feature



8a

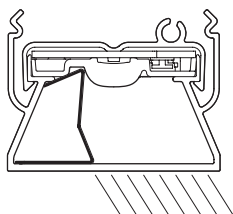
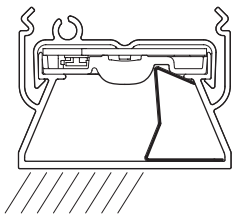
PI-7  
Line End / Line Feature



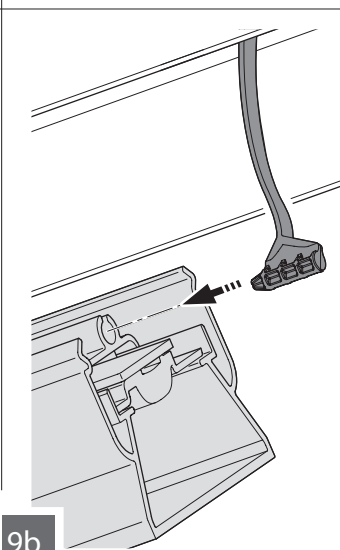
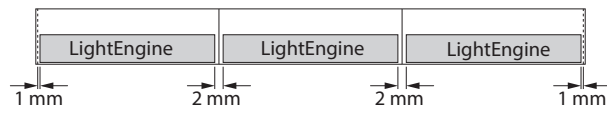
8b



as ymmetric  
LightEngine

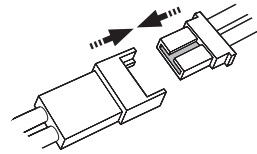


9a

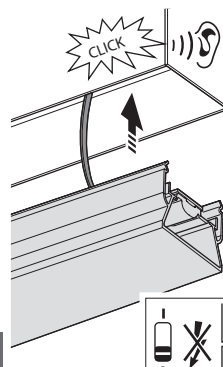


9b

9c

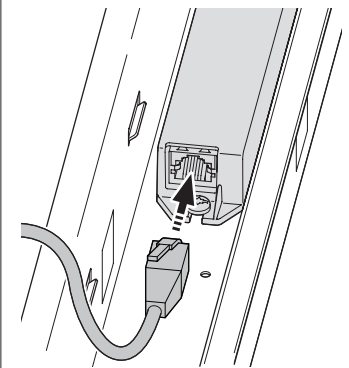


9d

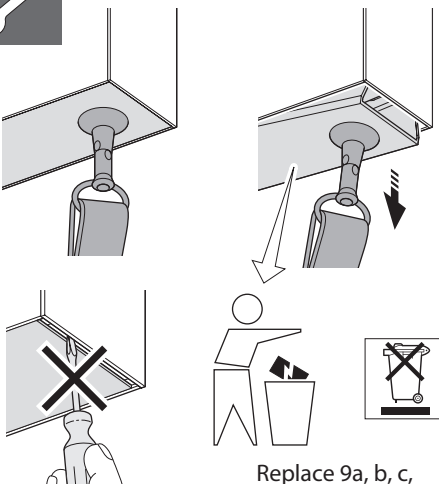


Po E

Condition Philips to specify to the customers (instruction):  
> to use UTP (Unshielded Twisted Pair) CAT5E or CAT6 cable.  
> the maximum length of the cable to be 20 meters.  
Apply a minimum radius of the Ethernet cable of 4x the cable diameter.

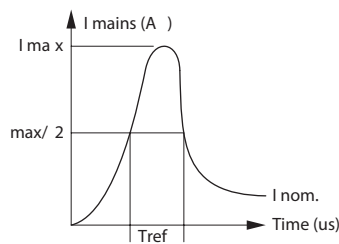


Cove r remove r (ZZS400 OCR)



Replace 9a, b, c,

Inrush current



I <sub>max</sub> (A)	19
T <sub>ref</sub> (μs)	280
Condition: Input voltage 220V	
MCB	Luminaire Max.
B-10A	15
B-13A	19
B-16A	24
B-20A	30
B-25A	37
C-10A	24
C-13A	32
C-16A	40
C-20A	49
C-25A	62