

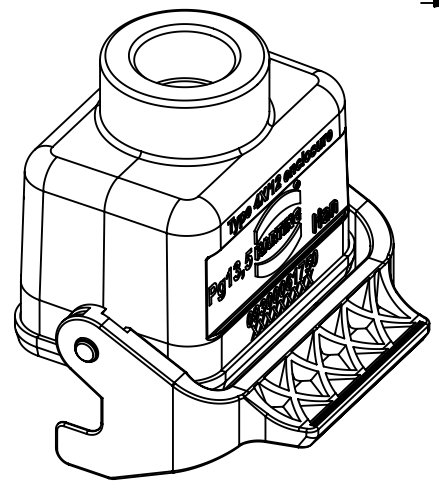
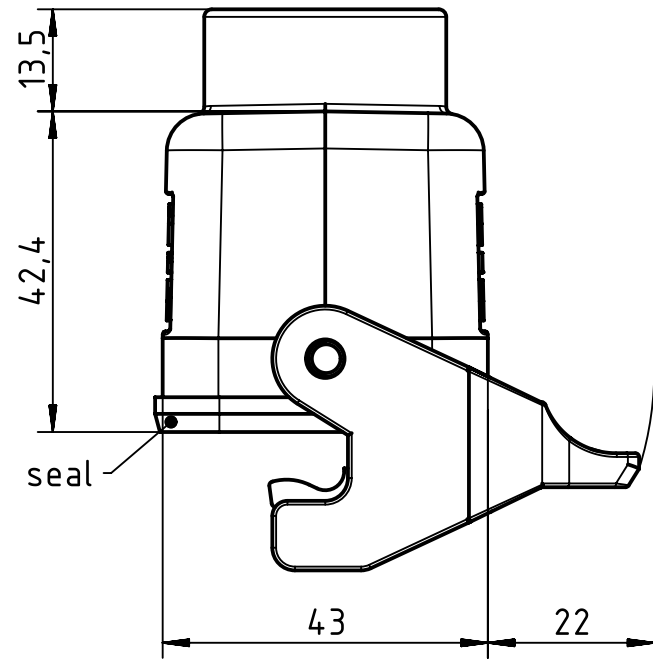
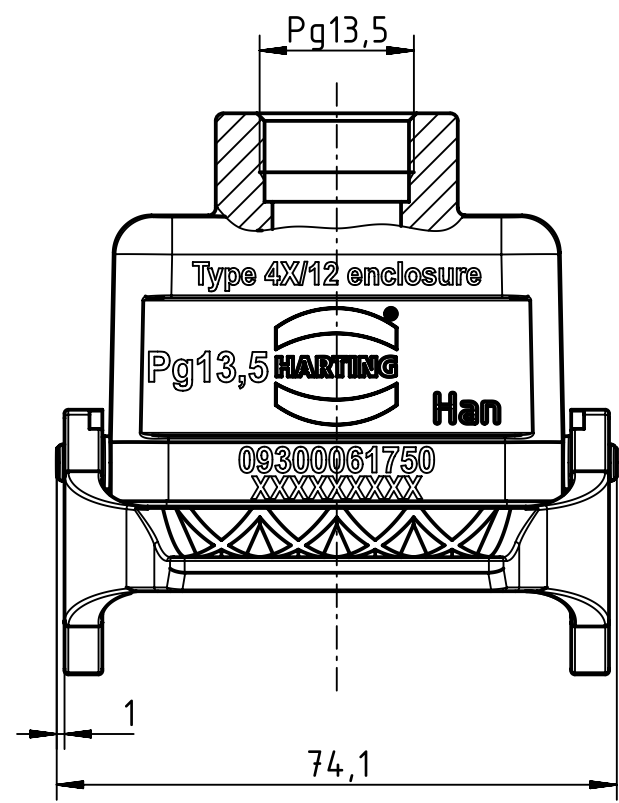
1 2 3 4 5 6

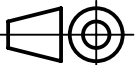

A

B

C

D



 All Dimensions in mm Original Size DIN A4	Scale	Free size tol.			Ref.
	1:1				Sub.
 All rights reserved Department EL PD - DE	Created by	Inspected by	Standardisation	Date	State
	HELLMANN	BERGHORN	RUETERA	2017-01-24	Final Release
HARTING Electric GmbH & Co. KG D-32339 Espelkamp	Title				Doc-Key / ECM-Nr.
	Han B Hood Coupler LC 1 Lever PG 13.5				100201256/UGD/004/D 500000113482
Type		Number		Rev.	Page
TB		09 30 006 1750		D	1/1