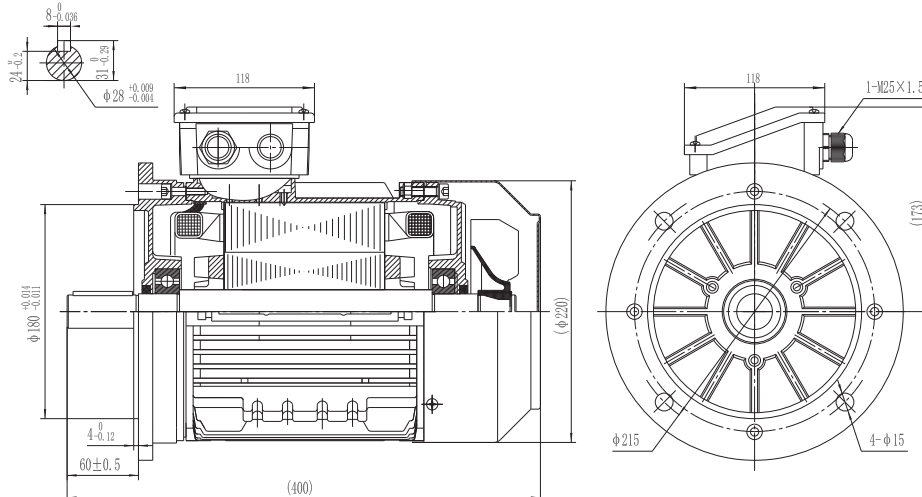


Type T2A 112M-4

Cod. I1120404,0B5B5A0TAMT

Mounting position

IM	B5
IM	3001



Electrical data			
Rated motor power	4		Kw
Rated motor speed	1435		min <sup>-1</sup> 50Hz
	1725		min <sup>-1</sup> 60Hz
Rated motor frequency	50		Hz
Rated motor voltage(+/-10%)	400		VΔ/50Hz
	690		VY/50Hz
	480		VΔ/60Hz
	830		VY/60Hz
Rated motor torque	26.62		Nm (Mn)
Rated motor current	8.44	VΔ/50Hz	A (In)
	4.88	VY/50Hz	A (In)
Starting motor current	7.9		xIn
Starting motor torque	2.5		xMn
Breakdown motor torque	3		xMn
Starting			D.O.L.
Efficiency class	IE2		
Efficiency	50Hz	60Hz	
	86.6	89.2	100% load
	87.2	89.1	75% load
	86.2	87.4	50% load
Power factor cosφ	0.79	0.79	100% load

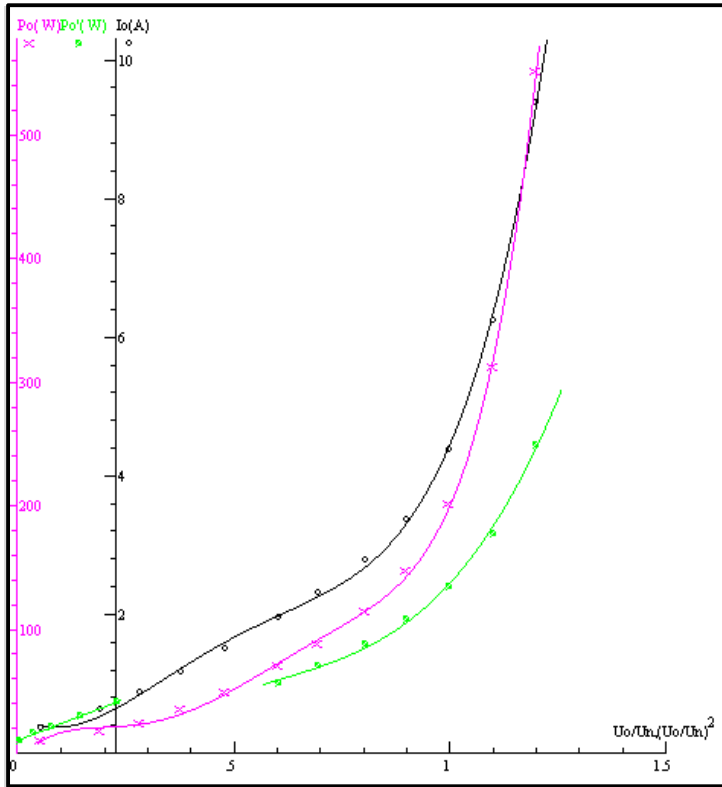
General data			
Frame size	112		
Mounting	B5		
Weight	37		Kg
Casing material	Aluminum		
Protection	IP	55	
Insulation class/Temperature rise	F	/	B
Tropicalization	Yes		
Vibration class	N		
Duty	S1		
Direction of rotation	Bidirectional		
Method of cooling	IC	411	
Cable entry	2-M25x1,5		
Standards	IEC/DIN/ISO/VDE/EN		
Execute at Standard	IEC 60034-1		
Feet removable	Yes		
Paintwork	RAL	7024	dark grey
Thermal protections	PTC 150°C		Standard

Site conditions	
Ambient temperature	from -20°C to +40°C
Altitude above sea level	1000 m

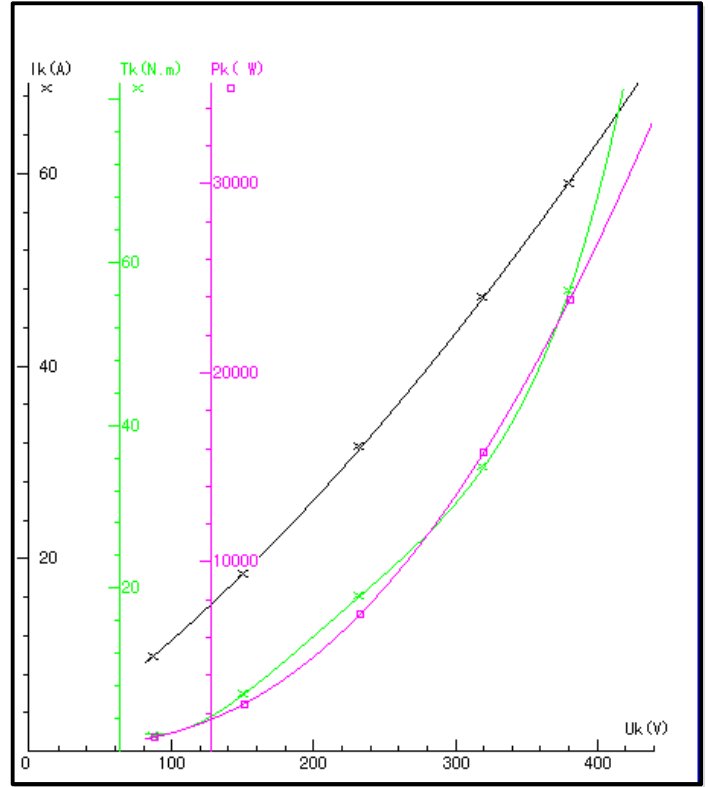
Mechanical data						
Noise level	LpA	73	dB(A)	Bearing DE side	6306-2RS-C3	
	LwA	83	dB(A)	Bearing NDE side	6206-2RS-C3	
Moment of inertia	0.0114		Kgm <sup>2</sup>	Average bearing lifetime	40000 h	
Bearings type			NSK	Relubrication interval L1 DE bearing	life h	
Lubricants for bearings	See installation and maintenance manual page 12			Relubrication interval L1 NDE bearing	life h	
				Compensation ring		NDE SIDE standard



### NO LOAD



### LOCKED ROTOR



### LOAD

