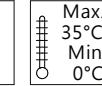
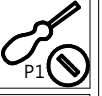
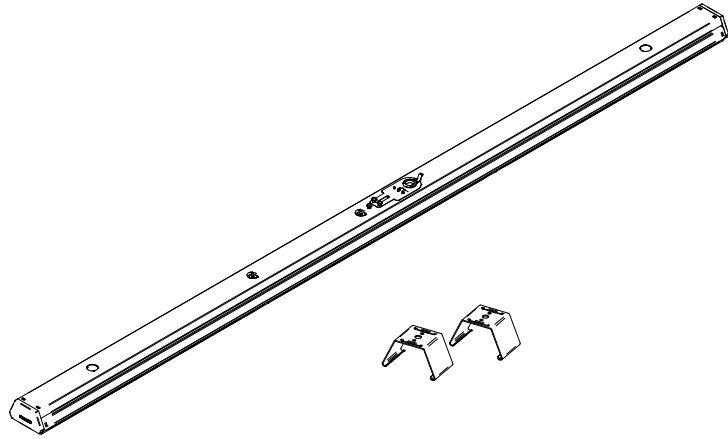


PHILIPS

CoreLine Trunking Gen2

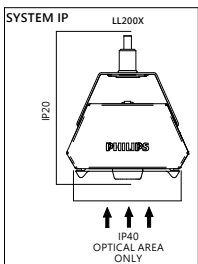
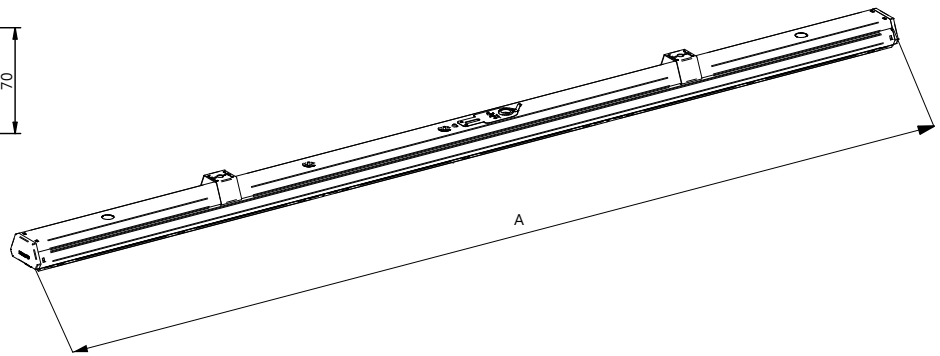
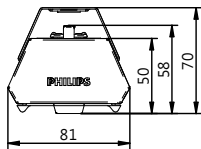
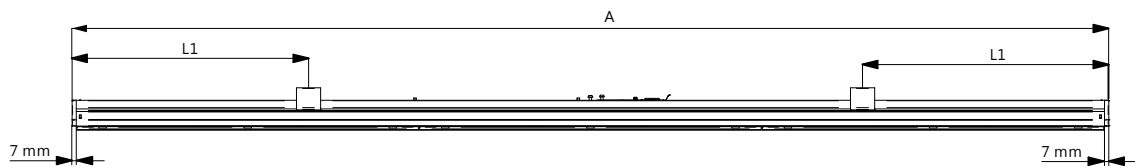
LL217X BV, LL234X BV



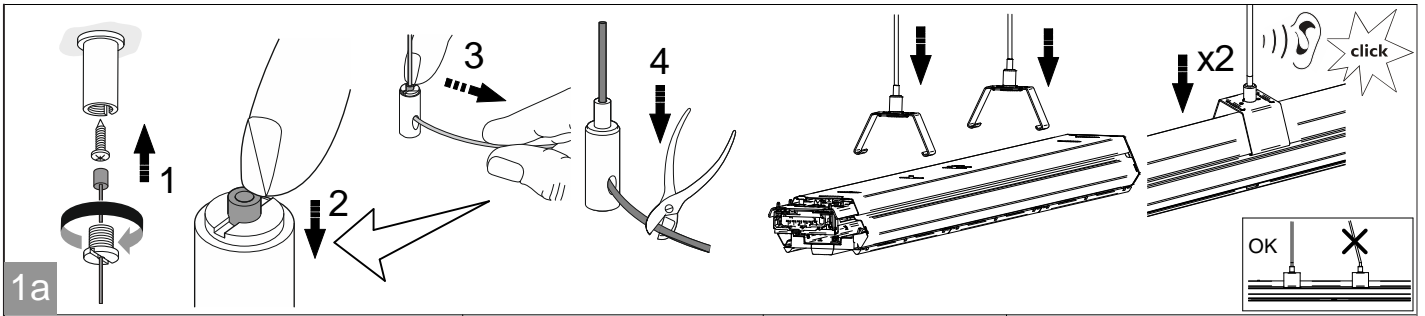
GLOW WIRE
850°C



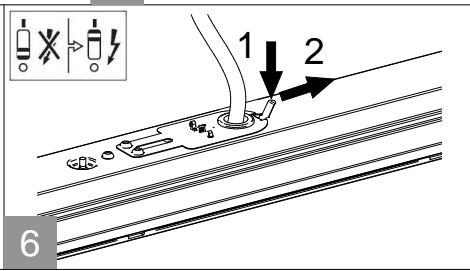
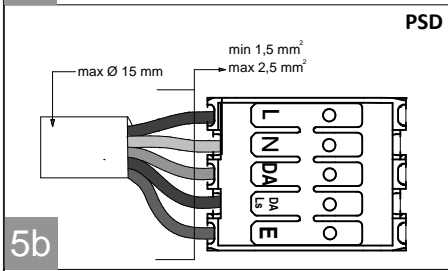
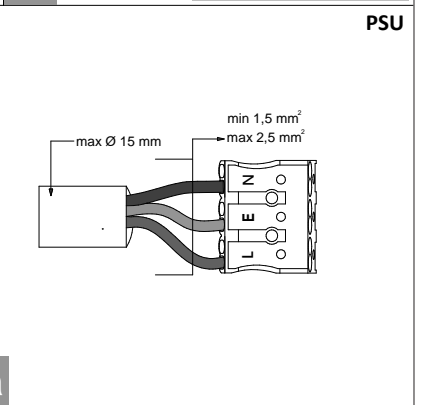
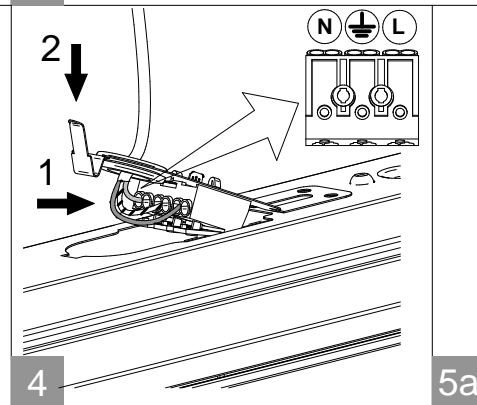
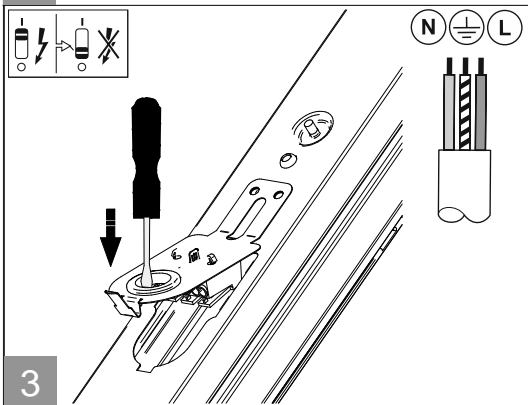
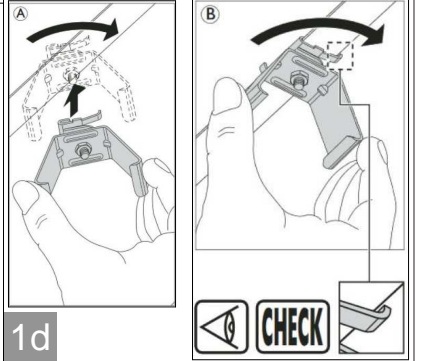
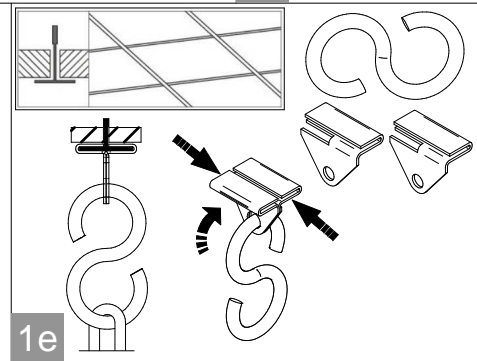
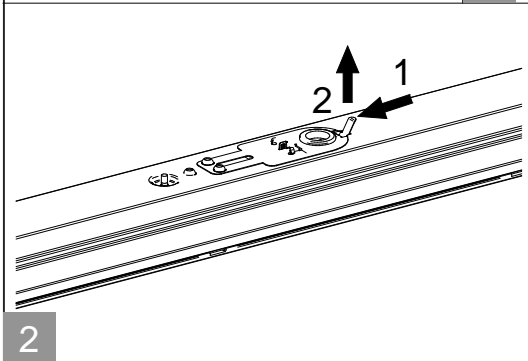
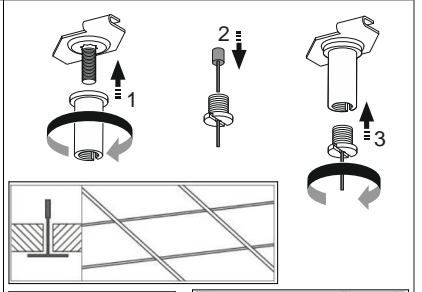
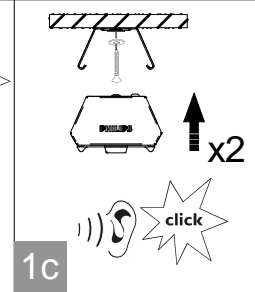
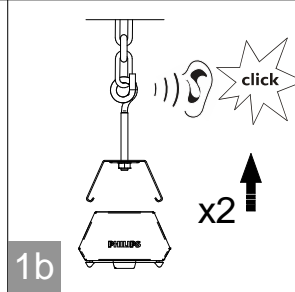
Prevent water from entering on or in the luminaire at installation and during use of the luminaire.



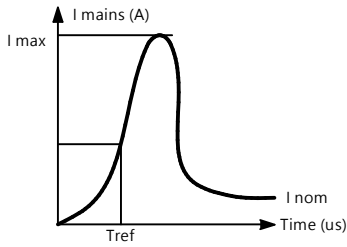
Luminaire type		SYSTEM FLUX [Lm]	Wattage [W]	A [mm]	L1 [mm]	kg
LL217X	45S PSU N BV	4500	27	1714	500 - 800	3,0
	80S PSU N BV	8000	50			
	80S PSU HE BV	8000	48			
	120S PSU N BV	12000	80			
LL234X	90S PSU N BV	9000	54	3414	500 - 800	5,8
	160 PSU N BV	16000	100			
	160 PSU HE BV	16000	96			
	240S PSU N BV	24000	160			



Drawing	Accessories
1a	LL200Z MB-SW
1b	LL200Z CB
1c	LL200Z SMB
1d	LL200Z PB
1e	LL200Z SMB-TPM SET



Inrush current



TYPE	535 1xPSU (36W)	305/455 1xSRD (35W)	905 2x SRD (35W)	305/455 1xPSD (35W)	905 2xPSD (35W)	305/455/535/805 1xPSD (60W)	905/1605 2xPSD (60W)	535/805 1xSRD (60W)	1605 2xSRD (60W)	455/805 1xPSU (75W)	905/1605 2xPSU (75W)	805/1205 1xPSU (100W)	2405 2xPSU (100W)	805/905/1205 1xPSD (100W)	2405 2xPSD (100W)	805/905/1205 1xSRD (100W)	2405 2xSRD (100W)	805/1205/1605 1xPSD (150W)	2405 2xPSD (150W)	1605 1xSRD (150W)
I_{max} [A]	14,0	21,0	42,0	23,1	46,2	25,1	50,2	21,0	42,0	19,0	38,0	22,5	45,0	10,0	20,0	4,5	9,0	5,1	10,2	5,1
T_{ref} [μs]	250	280	280	221	221	214	214	280	280	280	280	30	30	35,9	35,9	1000	1000	760	760	760
cable Ø [mm²]	1.5 / 2.5*																			
MCB B-6A	13/13	8/8	4/4	8/8	4/4	8/8	4/4	8/8	4/4	9/9	4/4	9/9	4/4	7/7	3/3	7/7	3/3	6/6	3/3	4/4
MCB B-10A	20/20	13/13	6/6	13/13	6/6	13/13	6/6	13/13	6/6	15/15	7/7	14/14	7/7	11/11	5/5	11/11	5/5	10/10	5/5	7/7
MCB C-10A	34/34	21/21	10/10	22/22	11/11	21/21	10/10	21/21	10/10	24/24	12/12	23/23	11/11	18/18	9/9	18/18	9/9	16/16	8/8	12/12
MCB B-13A	26/26	17/17	8/8	17/17	8/8	17/17	8/8	17/17	8/8	19/19	9/9	18/18	9/9	14/14	7/7	14/14	7/7	12/12	6/6	9/9
MCB C-13A	40/44	28/28	14/14	29/29	14/14	28/28	14/14	28/28	14/14	32/32	16/16	30/31	15/15	24/24	12/12	24/24	12/12	20/21	10/10	16/16
MCB B-16A	33/33	21/21	10/10	22/22	11/11	21/21	10/10	21/21	10/10	24/24	12/12	23/23	11/11	18/18	9/9	18/18	9/9	16/16	8/8	12/12
MCB C-16A	40/56	35/35	17/17	37/37	18/18	35/35	17/17	35/35	17/17	40/40	20/20	30/39	15/19	30/30	15/15	30/30	15/15	20/27	10/13	20/20

* Warning! The values on the left are for 1.5 mm thick cables, the values on the right are for 2.5 mm thick cables

Maintenance instructions

To assure the lighting quality of this unique LED lighting concept there are a few instructions regarding the maintenance of this LED luminaire:

- Do not touch electronic components!
Electronic components are under high voltage.
Electronic components are ESD sensitive.
- During installation or when maintaining the luminaire please use static free gloves to avoid marks on the luminaire.
- To remove dirt and spots use the following:
Dust: only use micro fiber cloths
Fingerprints, etc.: use a cleaner for synthetic materials with antistatic properties.
- Do not stare into the LED light beam.
- To avoid scratches and dirt on optical parts remove protective foil after installation.
- The luminaire shall be installed by a qualified electrician and wired in accordance with the latest IEE electrical regulations or the national requirements.
- The light source of this luminaire is not replaceable: when the light source reaches its end of life whole luminaire shall be replaced.
- Driver insulation: Basic according to IEC 61847-1.

