

1

2

3

4

5

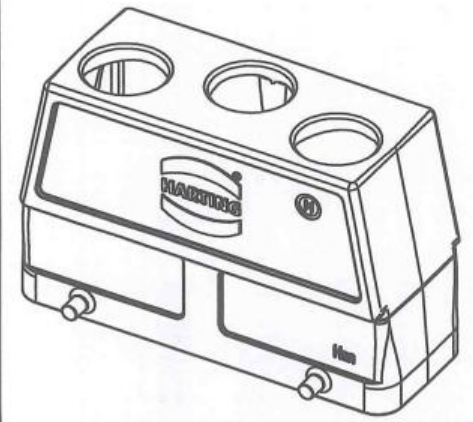
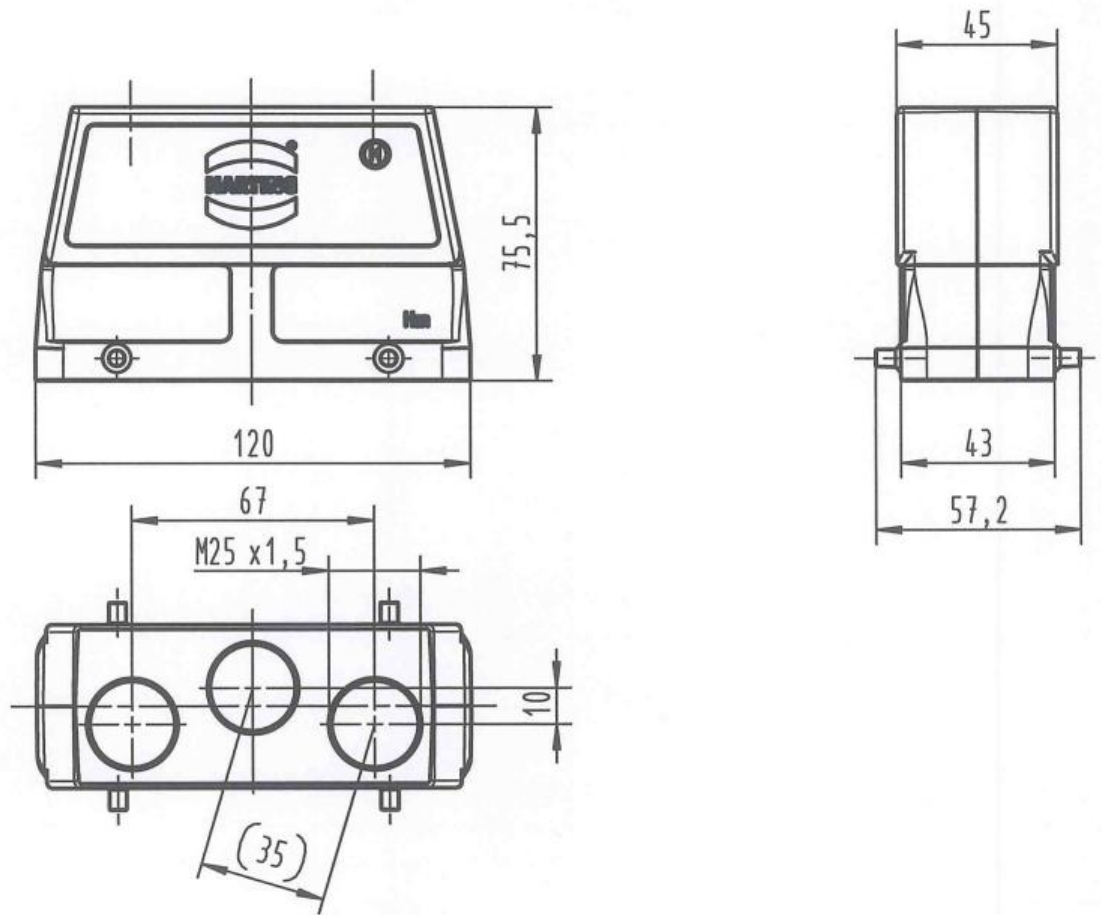
6

A

B

C

D



	All rights reserved Department EL PD - DE		Scale 1:2 Free size fol.		Ref. Sub.	
	HARTING Electric GmbH & Co. KG D-32339 Espelkamp		Created by RULLKOETTER	Inspected by BERGHORN	Standardisation SCHMIDTM	Date 2013-04-25
Title Han 24B-gg3-M25					Doc-Key / ECH-Nr. 100536420/UGD/001/A	
Type TB			Number 19 30 024 0476			Rev. A
						Page 1/1