



Paulmann

### Safety Instructions

1, 2, 3, 4, 5, 6, 7, 8, 16, 19,  
22, 23, 24, 29, 32, 33, 34



Info

[www.paulmann.com](http://www.paulmann.com)

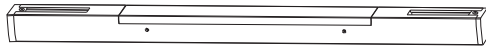
Paulmann Licht GmbH  
Quezinger Feld 2  
31832 Springe  
Germany

[www.paulmann.com](http://www.paulmann.com)

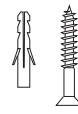
Art.-Nr.: 977.65  
977.66



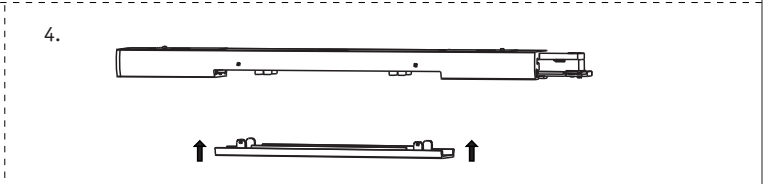
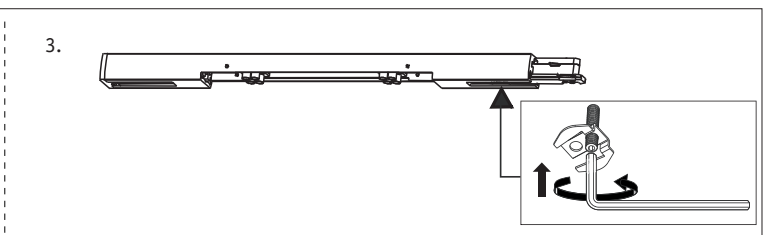
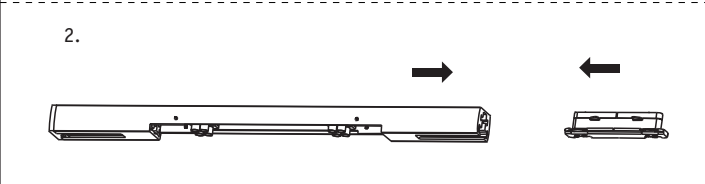
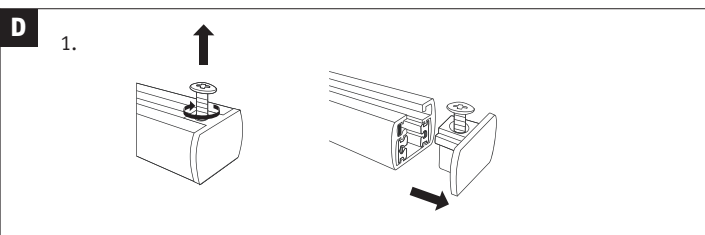
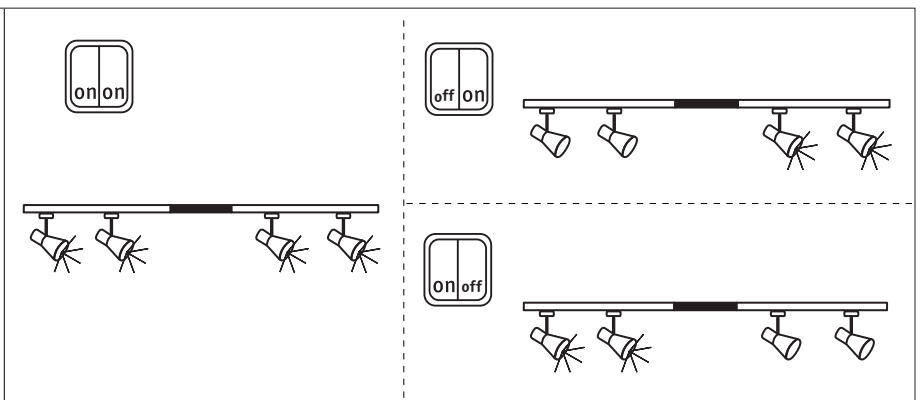
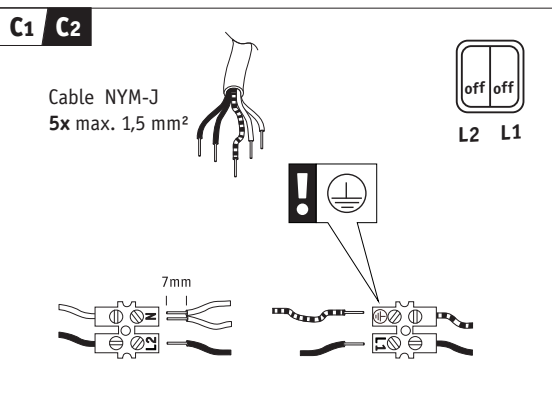
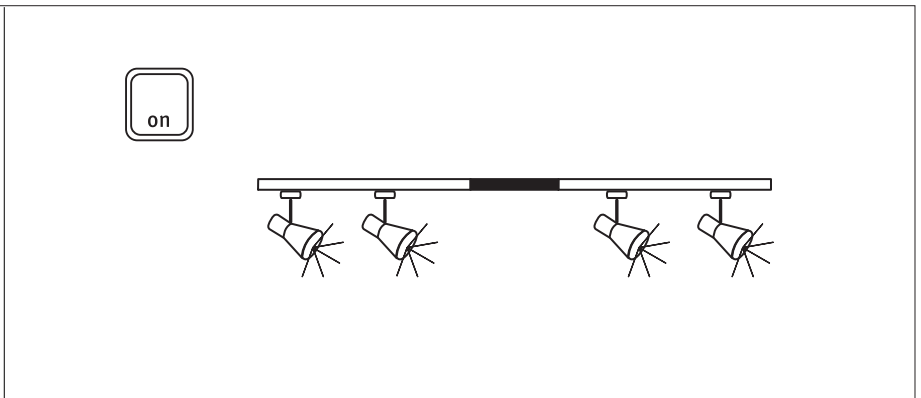
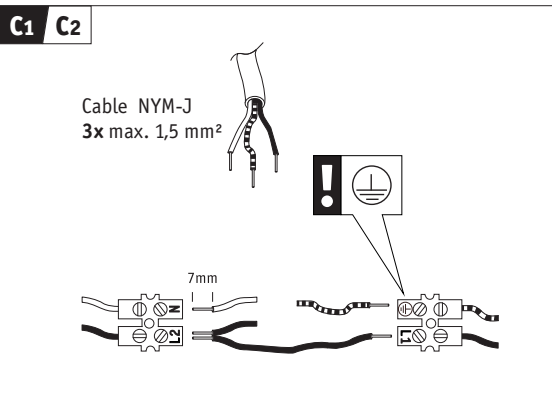
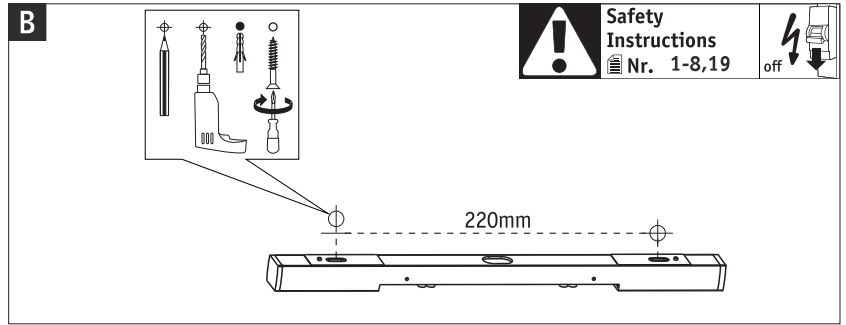
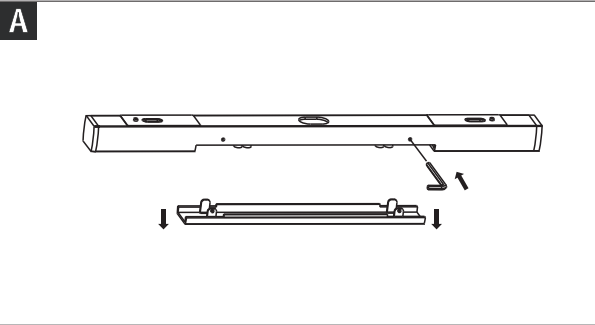
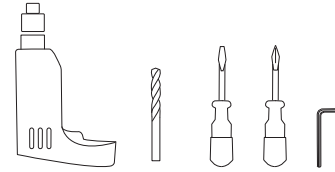
(+MA326) PH 06/18



1x



incl.



E

