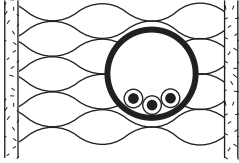
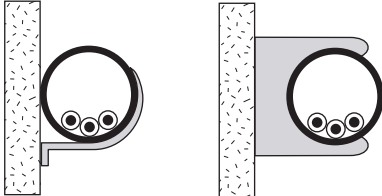
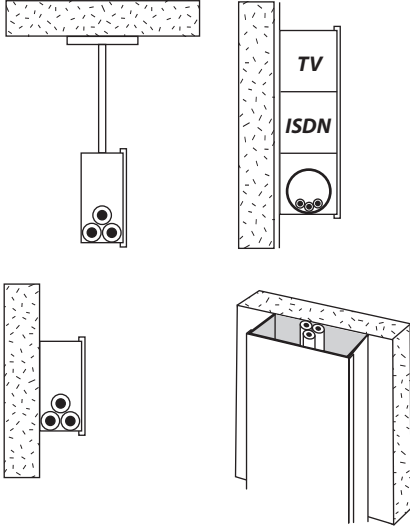
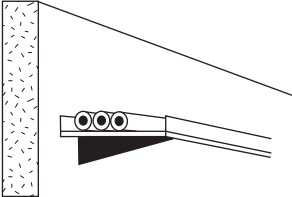


Current ratings H07V-U / H07V-R / H07V-K

Installation mode		Reference Nr.
	<p>Installation in warmth insulated walls</p>	<p>A1</p>
	<p>Installation in pipes on walls</p>	<p>B1</p>
	<p>Installation in cable conduits on walls</p>	<p>B1</p>
	<p>Installation on cable trays</p>	<p>C</p>

Current ratings H07V-U / H07V-R / H07V-K

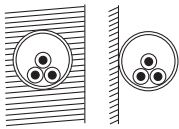
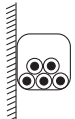
2/3

Cross-section mm ²	A1 Number of cores on load		B1 Number of cores on load		C Number of cores on load	
	2	3	2	3	2	3
1,5	15,5	13,5	17,5	15,5	19,5	17,5
2,5	19,5	18	24	21	27	24
4	26	24	32	28	36	32
6	34	31	41	36	46	41
10	46	42	57	50	63	57
16	61	56	76	68	85	76
25	80	73	101	89	112	96
35	99	89	125	110	138	119
50	119	108	151	134	168	144
70	151	136	192	171	213	184
95	182	164	232	207	258	223
120	210	188	269	239	299	259
150	240	216	-	-	344	299
185	273	245	-	-	392	341
240	321	286	-	-	461	403
300	367	328	-	-	530	464

Rating factors for ambient temperature (°C)

T	10°	15°	20°	25°	30°	35°	40°	45°	50°	55°
	1,22	1,17	1,12	1,08	1	0,94	0,87	0,79	0,71	0,61

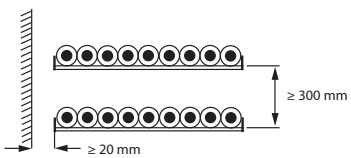
Group rating factors for Installation mode A1 and B1

	Number of circuits (composed each on 2- or 3 loaded single cables)									
	2	3	4	5	6	7	8	9	10	
 	0,8	0,7	0,65	0,60	0,57	0,54	0,52	0,50	0,48	

Current ratings H07V-U / H07V-R / H07V-K

3/3

Group rating factors for Installation mode C

	Number of trays	Number of circuits (composed each on 2- or 3 loaded single cables)	
		2	3
	1	0,97	0,96
	2	0,93	0,89
	3	0,90	0,86