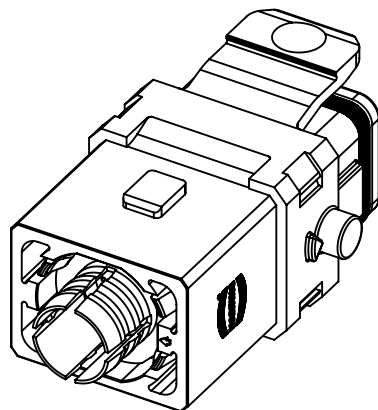


order contacts separately

wire gauge	part-no.
AWG 28-24	09 67 000 7476
AWG 26-22	09 67 000 5476
AWG 24-20	09 67 000 8476
AWG 22-18	09 67 000 3476



	All rights reserved Department EL PD	All Dimensions in mm Original Size DIN A4		Scale 2:1	Free size tol.		Ref. Sub.	
		Created by HOLLERT	Inspected by HERBRECHTSME	Standardisation GARSKE	Date 2020-04-07	State Final Release		
HARTING Electric GmbH & Co. KG D-32339 Espelkamp		Title Han 1A-M12-f D-coded, latch			Doc-Key / ECM-Nr. 100761136/UGD/001/D 500000170465		Rev. D	Page 1/1
		Type TB	Number 09 10 004 3100					