

Safety Instructions



0,1,2,3,4,5b,7,8,9,10,
11,12,15,16,17,19,20,
21,22,23,25,26,27

Info Hotline



+49 (0) 5041 998 389

Mon. - Do. 7⁰⁰ - 20⁰⁰

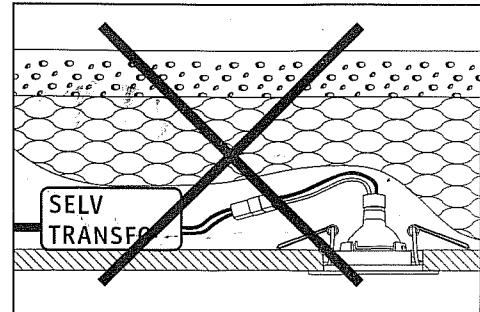
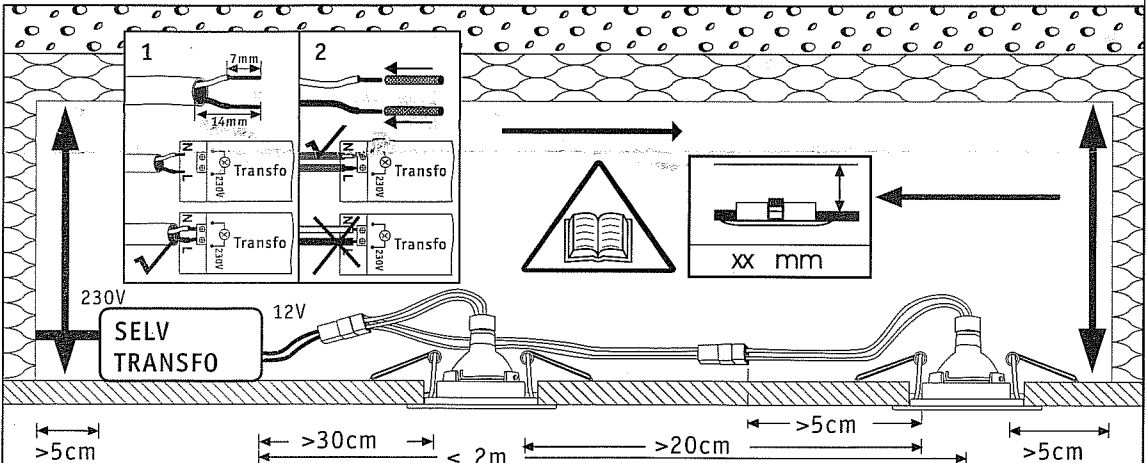
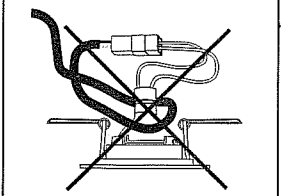
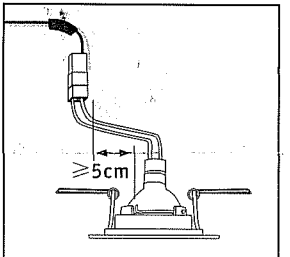
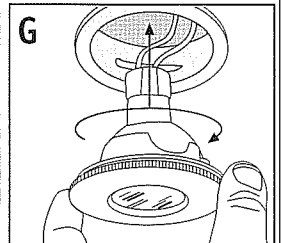
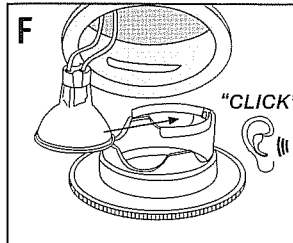
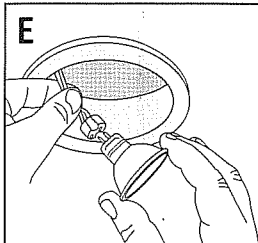
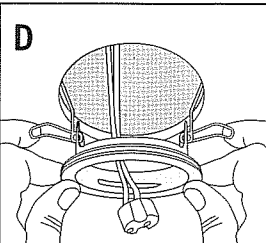
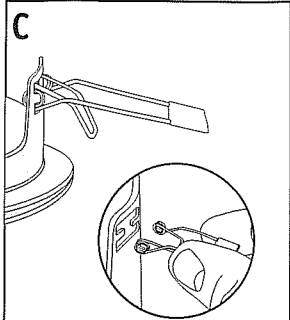
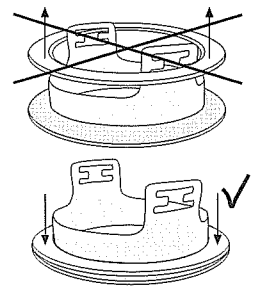
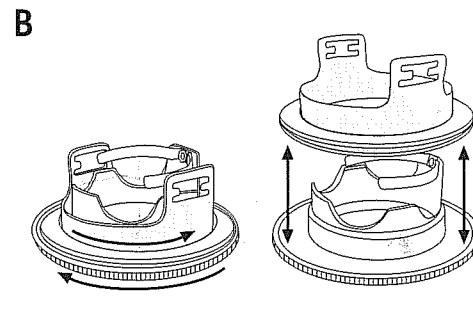
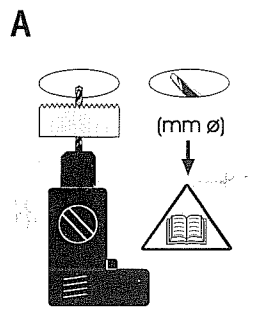
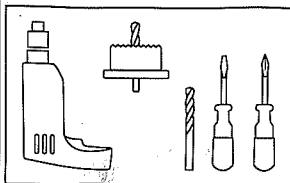
Fr. 7⁰⁰ - 17⁰⁰

Paulmann Licht GmbH
31832 Springe / Germany
www.paulmann.com

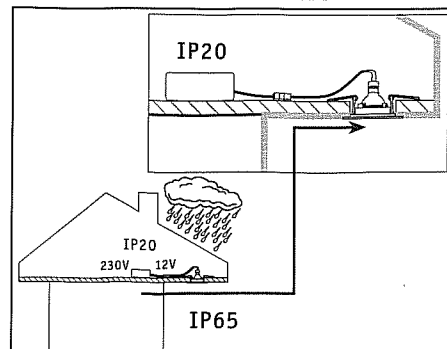
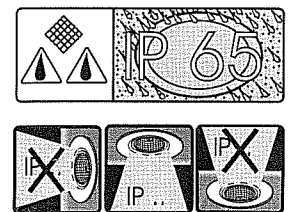
Art.-Nr.:
570000038

(+MA 173)

PBO 10/09



60 %				WÄRMEVERTEILUNG Répartition de la chaleur Warmteverdeling Heat distribution Distribución térmica
40 %				
20 %				COOL BEAM SECURITY AKZENT
80 %				



Akzent Security	Coolbeam						
[W]	[W]	[mm]	[m]	[mmø]	[mm]	[cm]	[mm]
35	35	51	0.5	75	80	≥ 20	5-20