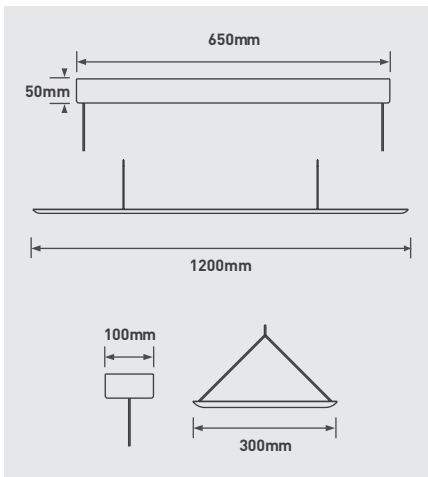


ICE LINEAR

Transparent panel with 60/40
up/down light

- Complete with adjustable wire suspensions and ceiling mounting plinth



4000K
NEUTRAL
WHITE

50,000
HOURS

WHITE
FINISH
RAL9016

CRI
>80

CAT NO.	DRIVER	LUMINAIRE LUMENS	WATTAGE	EFFICACY Llm/W
LIC312W42S40	Standard	4200	42W	100
LIC312W42D40	Digital Dimmable	4200	42W	100

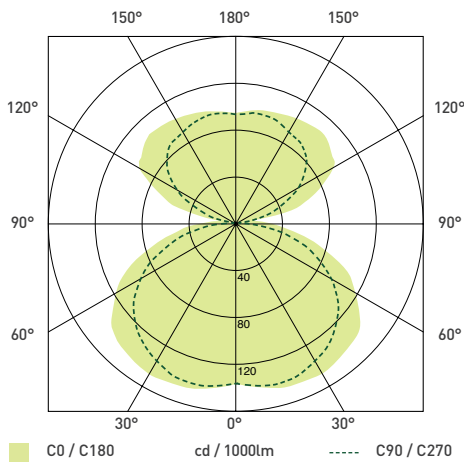
	LENGTH / DIA (mm)	WIDTH (mm)	HEIGHT / DEPTH (mm)	WEIGHT (kg)	L FIXING CENTRES (mm)	W FIXING CENTRES (mm)	CEILING CUTOUT (mm)	LUMINAIRE LUMENS (Llm)	LUMINAIRE WATTAGE (W)	EFFICACY (Llm/W)	CCT (K)	CRI	UGR	IP RATED	IK RATED	GLOW WIRE (°C)	RAL COLOUR	TEMP RANGE (°C)	RATED LIFE (HR)	AMBIENT TEMP. RATED LIFE (°C)	L AT RATED LIFE	B AT RATED LIFE	VOLTAGE RANGE	FREQUENCY	EMERGENCY PACK CODE	WARRANTY (YEARS)
LIC312W42S40	1200	300	15	2.3	500	N/A	N/A	4200	42	100	4000	>80	≤19	IP20	IK04	650	9016	0 to +30	50,000	25	70	10	220-240V	50hz	N/A	5
LIC312W42D40	1200	300	15	2.3	500	N/A	N/A	4200	42	100	4000	>80	≤19	IP20	IK04	650	9016	0 to +30	50,000	25	70	10	220-240V	50hz	N/A	5

LIC312W42S40

LUMINAIRE PERFORMANCE

Light Output Ratio: 100%
 Luminaire Efficacy: 98 lm/W
 Light Distribution: C33 ↓59.7% ↑40.3%
 CIE Flux Codes: 37 70 92 60 100
 UGR 4H 8H (20%, 50%, 70%)C0 / C90: 19.0 / 17.5

LUMINOUS INTENSITY



LUCECO

This luminaire contains built-in LED lamps.

A++
A+
A
~~**B**~~
~~**C**~~
~~**D**~~
~~**E**~~

} LED

The lamps cannot be changed in the luminaire.

874/2012

STANDARDS

EN 60598-1	Luminaires - General requirements
EN 60598-2-1	Luminaires - Fixed general purpose
EN 61347-1	Lamp controlgear - Part 1: General and safety requirements
EN 61347-2-13	Lamp controlgear - Part 2-13 : Particular requirements for d.c. or a.c. supplied electronic controlgear for LED modules
EN 55015	Limits and methods of measurement of radio disturbance characteristics of electrical lighting and similar equipment
EN 61547	Equipment for general lighting purposes - EMC immunity requirements
EN 61000-3-2	Electromagnetic compatibility (EMC) - Part 3-2: Limits - for harmonic current emissions
EN 62471	Photobiological safety of lamps and lamp systems
2002/96/EC	Waste Electrical & Electronic Equipment (WEEE)
2011/65/EU	Restriction of the use of certain Hazardous Substances in EEE (RoHS)
(EC) No 1907/2006	The Registration, Evaluation, Authorisation and Restriction of Chemicals (REACH)

