



Paulmann

Safety Instructions

1, 2, 3, 4, 5, 6, 7, 8, 14, 19, 28, 33, 34



Info

www.paulmann.com

Paulmann Licht GmbH
Quezinger Feld 2
31832 Spinge
Germany

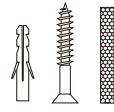
www.paulmann.com

Art.-Nr.: 797.44

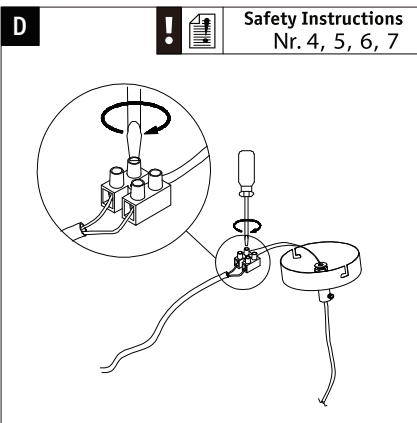
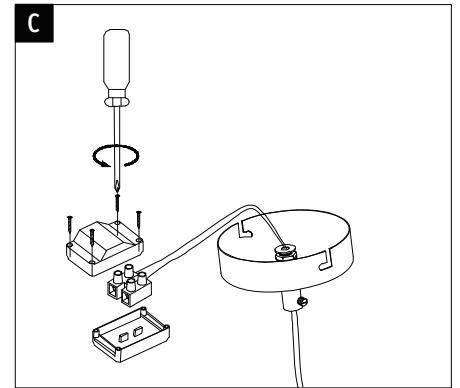
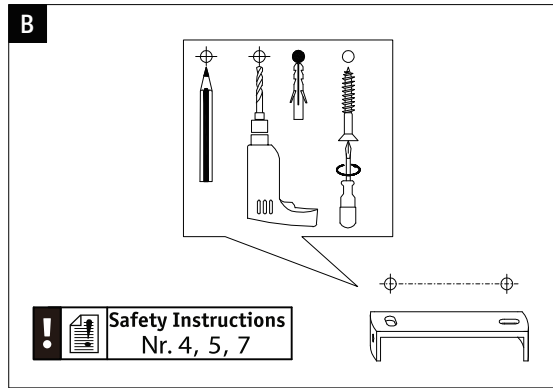
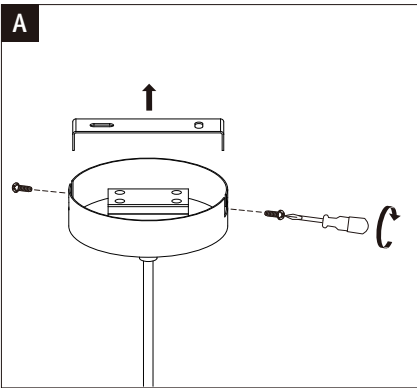
(+MA0326) PIN 07/18



Max. 1x20W LED



incl.



Safety Instructions
Nr. 4, 5, 6, 7

