

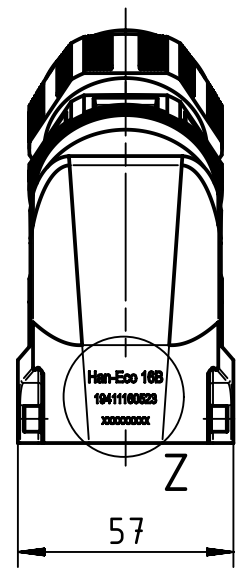
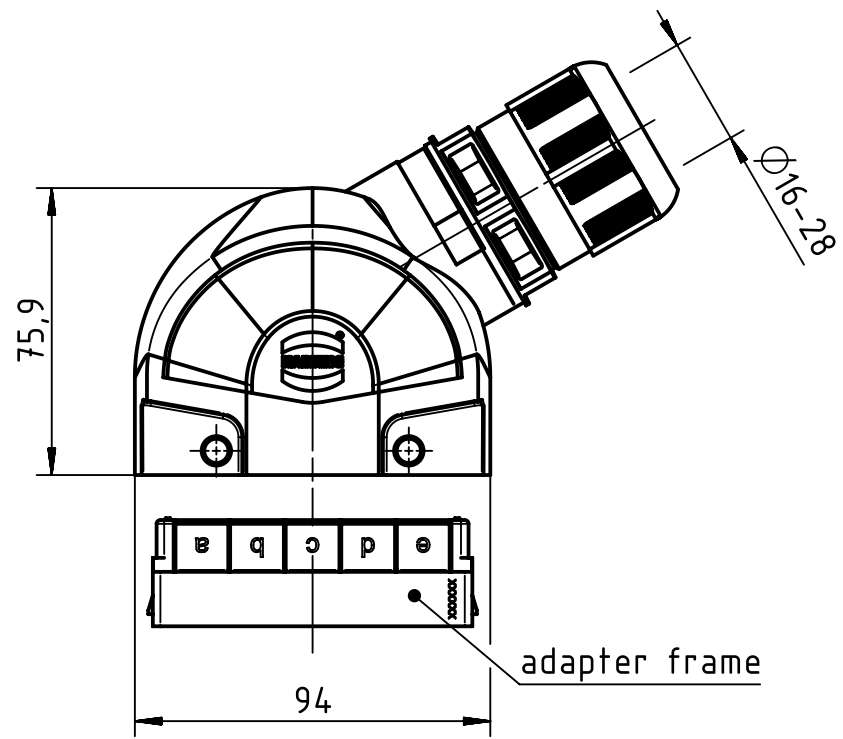
1 2 3 4 5 6

A

B

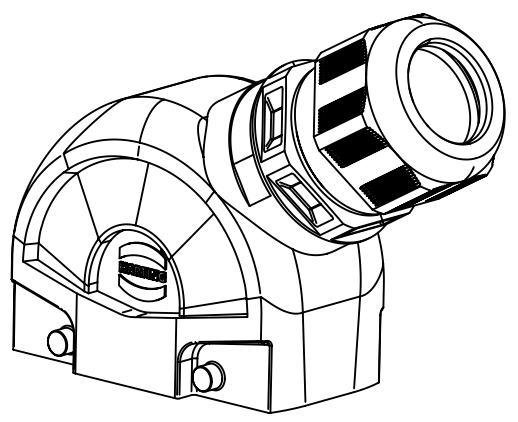
C

D



Z (1:1)

Han-Eco 16B
19411160523
XXXXXXXXXX



	All Dimensions in mm Original Size DIN A4		Scale 1:2	Free size tol.		Ref.		
						Sub.		
	All rights reserved		Created by DICK	Inspected by HERBRECHTSME	Standardisation TIEMANNA	Date 2016-02-29	State Final Release	
	Department EL PD - DE		Title Han-Eco 16B SE M40 with cable gland				Doc-Key / ECM-Nr. 100185057/UGD/005/A 500000096768	
HARTING Electric GmbH & Co. KG D-32339 Espelkamp			Type TB	Number 19 41 116 0523			Rev. A	Page 1/1